

2011

Volume 1

DORMAN[®]
NEW SINCE 1918

Formerly "Dealer Only" Parts

Now Available in the Aftermarket



SHARE THIS REFERENCE GUIDE

- KEEP IT WHERE PARTS ARE ORDERED (PHONE, COMPUTER)**
- PUT IT IN THE BREAK ROOM**
- MAKE SURE YOUR PARTS PERSON REVIEWS IT!**

www.DormanProducts.com

SERVICE DEALER GUIDE

Online Tech Support!

NEW!
Online Tech Support!

Have A **Quick** Question?
Get a **Quick** Answer!

DORMAN
LIVE TECH SUPPORT
ONLINE Click Here to Chat!

Monday-Friday 8am-5pm EST

Visit us online at www.DormanProducts.com

Be the First to Know!

About Formerly "Dealer Only" Parts

Sign Up at DormanProducts.com/Signup

Accelerator Pedal Pad

20760
GM
2006-94,
w/ Active Brake Control (JL4)



Cup Holder



924-806
BMW 5 Series
2003-95

Door Check Strap

38459
CJ, Scrambler, Wrangler
2006-76



Door Hinge Pin & Bushing Kit



38414
Chrysler Minivans, Neon
2000-95

FREE POSTER!

Wheel Nut Torque Specification Poster

See Back for Complete Details



Fuel Door Release Repair Kit



924-275
Civic
2005-01
4-Door

**Saves Hours of
Interior Disassembly**



View Installation Video
DormanGuide.com

Hazard Switches

**Failure Renders Turn Signals and
Flashers Inoperative**



View Installation Video
DormanGuide.com



924-602
Impala
2005-00



924-605
Grand Am
2005-99



924-601
Malibu
2005-97



924-604
Achieva, Alero,
Cutlass
2004-97



924-606
Monte Carlo 2005-00
w/o Button



Door Lock Actuators



Door Handles



Hood Prop Rod Retainers

Hood Release Cables

912-012
 Accord, Odyssey
 1998-90



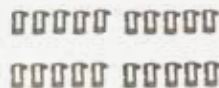
ALSO NEW:			
Make, Model	Years	Part #	Description
Chevrolet Truck			
Blazer	91-81	912-020	Cable & Handle
Pickup	86-81	912-020	Cable & Handle
Suburban	91-81	912-020	Cable & Handle
Pickup, exc. Crew Cab	91-87	912-020	Cable & Handle
GMC Truck			
Pickup	86-81	912-020	Cable & Handle
Suburban	91-81	912-020	Cable & Handle
Pickup, exc. Crew Cab	91-87	912-020	Cable & Handle
Jimmy	91-81	912-020	Cable & Handle

ALSO NEW:			
Make, Model	Years	Part #	Description
Honda			
Accord	89-86	912-021	Cable Only
Civic	95-92	912-023	4-Door
Civic	91-88	912-022	
Civic	1993	912-023	2-Door
CRX	91-88	912-022	
Lexus			
ES250	91-90	912-024	
Toyota			
Camry	96-92	912-025	
Camry	91-87	912-024	
Corolla	97-93	912-026	

Ignition Lock Cylinder

Comes Pre-assembled
 with Keys

924-703
 Chrysler, Jeep
 2007-97



View Installation Video
DormanGuide.com

Liftgate Handle

79600
 Sequoia, Sienna
 2007-98



Have a New Product Idea?

Call us! (866) 933-2911

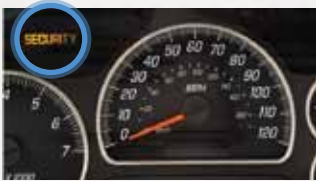
Parking Brake Release Handle



924-305
GM Full Size Trucks
2007-99

Passlock Ignition Switch Case

Failure Creates a No Start Condition
with "Security" Light Flashing



924-702
Alero, Cutlass, Grand
Am, Impala, Intrigue,
Malibu, Monte Carlo
2005-97



View Installation Video

DormanGuide.com

Plastic Backed Mirror Glass



56318 [Left]
56319 [Right]
GM Full Size Trucks
2007-03



Strut Tower Repair Cap Kits



Sliding Door Motors



Wiper Linkage Bushings

Radiator & Tail Lamp Retaining Nuts

42136
GM Cars & Trucks
2008-94



Radio Knob Assortment

76877
GM Cars & Trucks
2008-95



Remanufactured Instrument Clusters



View Installation Video

DormanGuide.com

599-312
Impala, Monte Carlo
2005-00

Ready to Install:
Fully Programmed with Mileage & VIN



599-319
H2 2004-03
Exc. Kilometer Speedometer

No Vehicle Downtime:
Special Order Ships Same Day



599-313
Impala 2005-00



599-300
GM Full Size Trucks 2005-03
Automatic; w/o Trans Temp Gauge

Be the First to Know!

About Formerly "Dealer Only" Parts

Sign Up at DormanProducts.com/Signup

Remanufactured Instrument Clusters (cont.)



599-307

GM Avalanche, Sierra,
Silverado, Suburban
Manual Transmission,
Gas Engine,
No Transmission Temperature
Gauge
2005-03



599-301

GM Full Size Trucks
2005-03



599-316

Envoy 2004-03
w/o Driver Information Center

ALSO NEW:

Make, Model	Years	Part #	Description
Cadillac			
Escalade	05-03	599-309	
Chevrolet			
Impala	05-00	599-303	Exc. Police; w/o Tachometer; 3 Gauge Cluster
Chevrolet Truck			
Silverado 1500	05-03	599-311	Automatic Transmission; Ext. Cab w/ Sport Performance Pkg.; White Face; RPO(B4U)
Silverado 2500 HD	05-03	599-302	5-Speed Allison Automatic Transmission; w/ Transmission Temp Gauge
Silverado 2500 HD	05-03	599-305	5-Speed Allison Automatic Transmission; w/ Transmission Temp Gauge
Silverado 2500 HD	05-03	599-308	Manual Transmission
Silverado 3500	05-03	599-302	5-Speed Allison Automatic Transmission; w/ Transmission Temp Gauge
Silverado 3500	05-03	599-305	5-Speed Allison Automatic Transmission; w/ Transmission Temp Gauge
Silverado 3500	05-03	599-308	Manual Transmission
Trailblazer	04-03	599-314	w/ Driver Information Center
Trailblazer	04-02	599-304	w/o Driver Information Center; Stamped 15115884
GMC Truck			
Envoy	05-03	599-315	w/ Driver Information Center
Sierra 2500	04-03	599-300	AT; w/o Trans Temp Gauge; USA
Sierra 2500 HD	05-03	599-302	5-Speed Allison Automatic Transmission; w/ Transmission Temp Gauge
Sierra 2500 HD	05-03	599-305	5-Speed Allison Automatic Transmission; w/ Transmission Temp Gauge
Sierra 2500 HD	05-03	599-308	Manual Transmission
Sierra 3500	05-03	599-302	5-Speed Allison Automatic Transmission; w/ Transmission Temp Gauge
Sierra 3500	05-03	599-305	5-Speed Allison Automatic Transmission; w/ Transmission Temp Gauge
Sierra 3500	05-03	599-308	Manual Transmission
Yukon	04-03	599-310	AT; w/ Trans Temp Gauge; Luxury Edition RPO(Y91)



Window Regulators



Headlamp Adjuster &
Retainers



Hinge Pins & Bushings

Seat Heaters



Insulated Stranded Wire Increases Durability



641-303 [Seat Bottom]
641-304 [Seat Back]
Grand Cherokee
2004-01

628-040
Universal



View Installation Video

DormanGuide.com



Plug & Play
Original Style Connectors

ALSO NEW:

Make, Model	Years	Part #	Description
Buick			
Rainier	2004	641-107	Seat Bottom
Cadillac			
Escalade	2002	641-103	Seat Bottom
Escalade	2002	641-104	Seat Back
Chevrolet			
Venture	05-01	641-101	Seat Bottom
Chevrolet Truck			
SSR	04-03	641-107	Seat Bottom
Suburban 1500, 2500	02-01	641-103	Seat Bottom
Suburban 1500, 2500	02-01	641-104	Seat Back
Tahoe	02-01	641-103	Seat Bottom
Tahoe	02-01	641-104	Seat Back
Trailblazer	04-02	641-107	Seat Bottom
Chrysler			
Town & Country Van	05-03	641-307	Seat Bottom; 2 Prong Cushion
Voyager	2003	641-307	Seat Bottom; 2 Prong Cushion

ALSO NEW:

Make, Model	Years	Part #	Description
Dodge			
Caravan	05-03	641-307	Seat Bottom; 2 Prong Cushion
Grand Caravan	05-03	641-307	Seat Bottom; 2 Prong Cushion
GMC Truck			
Envoy	04-02	641-107	Seat Bottom
Yukon	02-01	641-103	Seat Bottom
Yukon	02-01	641-104	Seat Back
Yukon XL 1500, 2500	02-01	641-103	Seat Bottom
Yukon XL 1500, 2500	02-01	641-104	Seat Back
Oldsmobile			
Bravada	04-02	641-107	Seat Bottom
Silhouette	04-01	641-101	Seat Bottom
Pontiac			
Montana	05-01	641-101	Seat Bottom

Detailed Applications & Additional Make/Model Coverage!

Visit DormanProducts.com

Shift Interlock Latch



DORMAN
Engineered

Made from Aluminum
for Increased Durability

Reduce Repair Cost -
Replace Just the Failed Part



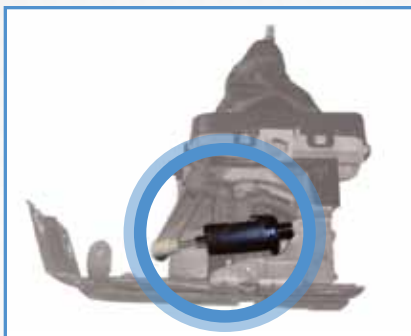
924-706
300, Charger, Magnum
2007-05



View Installation Video

DormanGuide.com

Shift Interlock Solenoid



Reduce Repair Cost -
Replace Just the Failed Part

924-705
Achieva, Alero, Cutlass,
Grand Am, Malibu
2005-97



Window Regulators

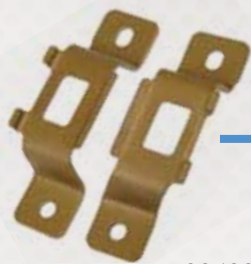


Remote Repair Cover



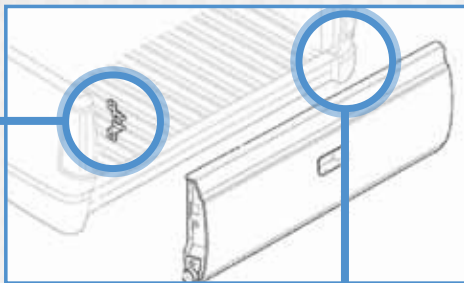
License Plate Lamps

Tailgate Hardware



38432
Strikers

GM Full Size Trucks
2000-88



38427
Striker Bolts

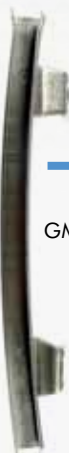
GM Full Size Trucks, H2, H3
2009-99



38646
Hinges

GM Full Size Trucks
2000-92

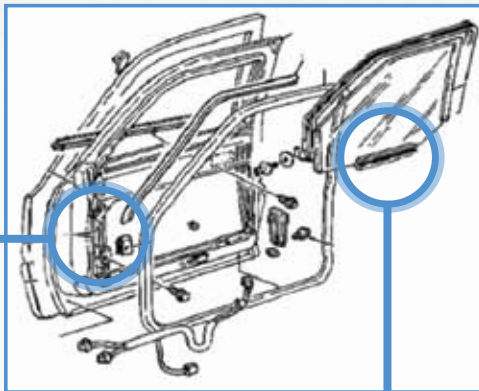
Window Channels



RUST
Replacements for
Rust Prone Parts

924-210

GM Full Size Trucks
2002-88
Front Left



924-249
GM Full Size Trucks
2002-88

Window Glass Lift Plate

FREE POSTER!

Wheel Nut Torque Specification Poster

See Back for Complete Details



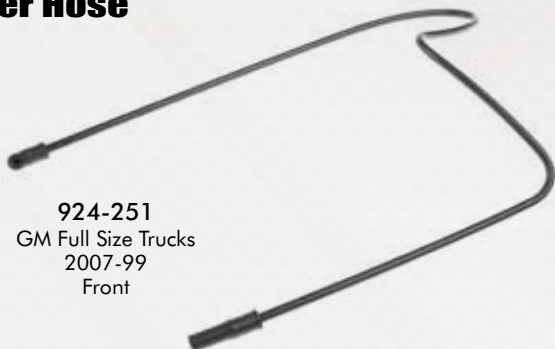
Window Guides

45348

Alero, Cutlass, Grand Am
2005-99



Windshield Washer Hose



924-251

GM Full Size Trucks
2007-99
Front

Windshield Washer Nozzle

47137

Replaces All Hood
Mounted Nozzles



Wiper Transmissions

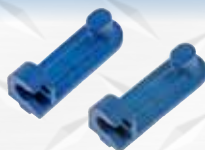


602-008

130, 135, Maxima
2003-00

ALSO NEW:

Make, Model	Years	Part #
Mazda		
Protege	03-98	602-600
Protege5	03-02	602-600
Toyota Truck		
RAV4	03-97	602-400



Rear Window Actuator Repair



Wiper Arms



Wiper Linkage Bushings

Windshield Washer Reservoirs

603-128

Century, Grand Prix, Impala,
Intrigue, Monte Carlo, Regal
2005-98



603-131

GM Full Size Trucks
1991-85

ALSO NEW:

Make, Model	Years	Part #
Chevrolet		
Cavalier	99-95	603-130
Chrysler		
300M, w/o Headlight Wiper	04-99	603-309
Concorde	04-98	603-309
LHS	01-99	603-309
Town & Country Van, Rear	99-97	603-308
Dodge		
Caravan, Rear	99-97	603-308
Grand Caravan, Rear	99-97	603-308
Intrepid	04-98	603-309
Neon	05-01	603-310
Hyundai		
Excel	94-90	603-519
Excel	91-90	603-520
Scoupe	92-91	603-519
Tiburon	08-05	603-532
Tiburon	04-03	603-531
Jeep		
Grand Cherokee	04-02	603-313
Liberty	07-06	603-314
Liberty	04-02	603-312
Wrangler	95-94	603-315

ALSO NEW:

Make, Model	Years	Part #
Kia		
Sportage	2005	603-528
Mitsubishi		
Lancer	06-02	603-511
Precis	94-90	603-519
Precis	91-90	603-520
Nissan		
200SX	98-95	603-620
Sentra	00-91	603-620
Plymouth		
Grand Voyager, Voyager, Rear	99-97	603-308
Neon	2001	603-310
Pontiac		
Sunfire	99-95	603-130
Suzuki		
Sidekick	98-89	603-512
Sidekick	98-89	603-513

Have a New Product Idea?

Call us! (866) 933-2911

ABS Harnesses



970-008 [Front Left]
970-009 [Front Right]

Achieva, Alero,
Grand Am, Malibu
2005-97

ALSO NEW:

Make, Model	Years	Part #	Position
Chevrolet			
Cavalier	05-95	970-007	Front
Venture	05-01	970-044	Front Right
Venture	03-01	970-043	Front Left
Oldsmobile			
Silhouette	04-01	970-044	Front Right
Silhouette	03-01	970-043	Front Left
Pontiac			
Montana	05-01	970-044	Front Right
Montana	03-01	970-043	Front Left
Sunfire	05-95	970-007	Front

ABS Tone Rings



917-531
Sable, Taurus, Windstar
2007-90

Reduce Repair Cost -
No Need to Replace CV Shaft

ALSO NEW:

Make, Model	Years	Part #	Position
Ford Truck			
Escape, 4WD	08-01	917-532	Front, Rear
Mazda Truck			
Tribute, 4WD	08-01	917-532	Front, Rear
Mercury			
Mariner, 4WD	08-05	917-532	Front, Rear
Subaru			
Baja	06-03	917-536	Front
Forester	02-00	917-536	Front
Impreza	04-99	917-536	Front
Legacy	04-99	917-536	Front
Outback	04-00	917-536	Front

Brake Cable Connector

21121
GM Cars & Trucks
2002-80



ABS Sensors



Brake Release Cables



Oversized Brake Caliper Bolts

Brake Backing Plates (Brake Dust Shields)

DORMAN
Engineered

Split Design of
924-002 Saves
Labor, No Need to
Remove the Axle

924-213
Astro, Express, GM Full Size
Trucks, Safari, Savana
2009-00



924-214
Express,
GM Full Size Trucks,
Savana
2006-99



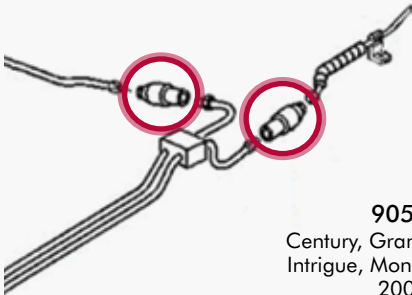
924-215
Ford Full Size Trucks (Rear)
2004-97

Brake Hose Banjo Bolt

13912
GM Full Size Trucks
2006-02
Rear



Brake Proportioning Valves



905-953
Montana, Silhouette, Venture
2005-00



905-952
Century, Grand Prix, Impala,
Intrigue, Monte Carlo, Regal
2003-98
w/ ABS



Be the First to Know!

About Formerly "Dealer Only" Parts

Sign Up at DormanProducts.com/Signup

Control Arm Bumpers



905-204
Dakota
2004-97
4WD



905-205
Durango
2003-98
4WD

Control Arm Bushings



905-508
Cobalt, G5,
HHR, Ion
2009-03
Front Lower Rear



905-203
Liberty
2007-02
Rear Upper



905-752
Civic, CR-V, Element, RSX
2008-01
Front Lower

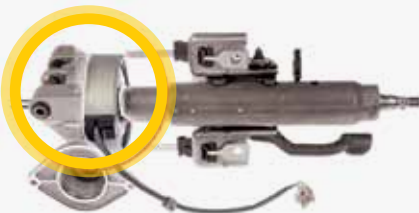
Electric Steering Position & Torque Sensor



Reduce Repair Cost -
No Need to Replace
Entire Column



905-513
Aura 2008-07,
G6 2009-06,
Malibu 2010-04
Exc. Convertible



Failure Causes Intermittent
Loss of Power Assist, "Power
Steering" Warning & Codes
C0460, C0545



View Installation Video
DormantGuide.com



Control Arms



Steering Speed Sensor



Steering Column Shift Mechanism

Leaf Spring Shackle & Bracket Kits



722-004 Shackle

E-Series Vans 2007-75;
Ford Full Size Trucks 1997-80
Rear



722-013 Bracket

Ford Full Size Trucks
1999-81
Front

ALSO NEW:

Make, Model	Years	Part #	Position
Ford Truck			
Bronco	96-80	722-005	Rear
F Super Duty	97-90	722-005	Rear
F-150, F-250, F-350	96-80	722-005	Rear
F-350	89-80	722-012	Rear
F-350	84-80	722-005	Rear
Ranger	97-86	722-011	Front

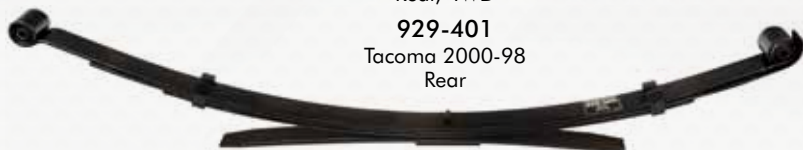
Leaf Springs

929-400

Tacoma 1997-95
Rear, 4WD

929-401

Tacoma 2000-98
Rear



Power Steering Cooler Lines



623-100

88, 98, Bonneville,
LeSabre, Park Ave
1995-91

**Detailed Applications &
Additional Make/Model Coverage!**

Visit DormanProducts.com

Power Steering Pulleys



300-024

Ford Full Size Trucks
1994-90
w/o AC

ALSO NEW:

Make, Model	Years	Part #
Chrysler		
5.7, 5.9L	2007	300-314
3.7, 4.7L	2007	300-315
Dodge Truck		
Durango, 5.7, 5.9L	07-04	300-314
Durango, 3.7, 4.7L	07-04	300-315
RAM 1500, 2500, 3500 Pickup, 5.7, 5.9L	07-02	300-314
RAM 1500 Pickup, 3.7, 4.7L	07-02	300-315
Ford Truck		
Bronco, 4.9L	92-90	300-029
E Super Duty	1996	300-020
E-150, E-250, E-350	96-90	300-020
F-150, F-250, F-350	96-90	300-029
Mercury		
Villager	02-93	300-030
Nissan		
Quest	02-93	300-030
Nissan Truck		
Frontier	01-98	300-450
Pickup	97-90	300-450
Xterra	04-00	300-450
Toyota Truck		
4Runner, Pickup	95-88	300-406
T100	94-93	300-406

Power Steering Reservoirs



603-904

S10, Sonoma
2003-95



Control Arms



Torsion Bars



Trailing Arm Bushing

Rear Track Bars (Lateral Links)



905-503
Forward
Grand Prix, Impala,
Lacrosse, Monte Carlo
2009-97

905-502
Rearward
Grand Prix, Impala,
Lacrosse, Monte Carlo
2009-97



905-806
Avalon, Camry,
Solara
2003-97



905-807
Avalon, Camry
2010-02

Rear Trailing Arms



905-805
Avalon, Camry, ES,
Solara
2004-94



ALSO NEW:

Make, Model	Years	Part #	Position
Infiniti			
QX4	03-97	905-803	Rear Left Lower
QX4	03-97	905-804	Rear Right Lower
Nissan Truck			
Armada	2004	905-802	Rear Left Upper
Armada	2004	905-802	Rear Right Upper
Pathfinder	04-97	905-803	Rear Left Lower
Pathfinder	04-97	905-804	Rear Right Lower

ALSO NEW:

Make, Model	Years	Part #	Position
Nissan Truck (cont.)			
Pathfinder	04-00	905-802	Rear Left Upper
Pathfinder	04-00	905-802	Rear Right Upper
Pathfinder, 4WD	03-00	905-803	Rear Left Lower
Pathfinder, 4WD	03-00	905-804	Rear Right Lower

FREE POSTER!

Wheel Nut Torque Specification Poster



See Back for Complete Details

Rear Upper Shock Mount



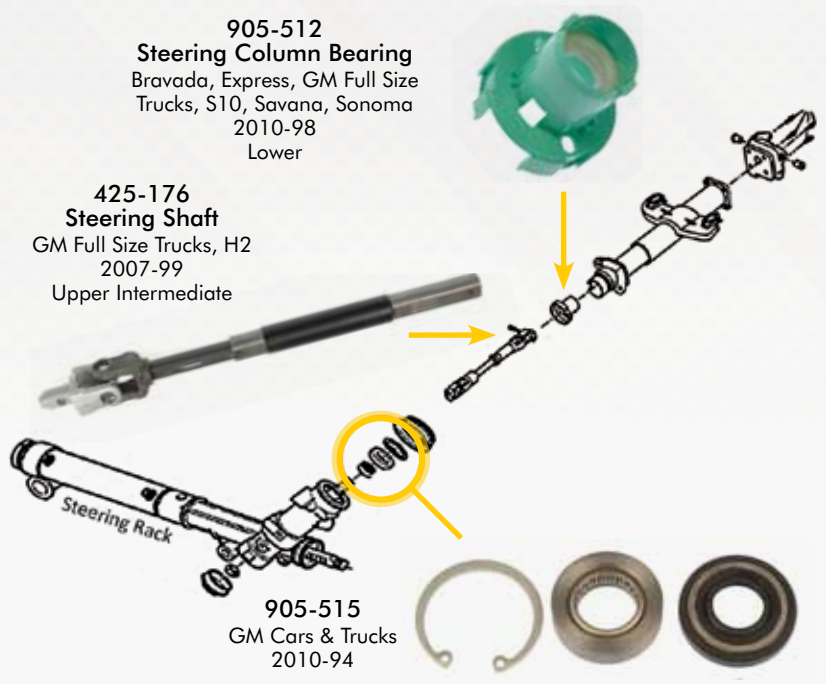
924-412
Mazda 3, 5
2009-04



Steering Column Bearing & Steering Shaft

905-512
Steering Column Bearing
Bravada, Express, GM Full Size
Trucks, S10, Savana, Sonoma
2010-98
Lower

425-176
Steering Shaft
GM Full Size Trucks, H2
2007-99
Upper Intermediate



905-515
GM Cars & Trucks
2010-94

Rack and Pinion Seal Kits



Upper Shock Insulators



Column Shift Tubes



Steering Knuckle Bushings

Steering Knuckles



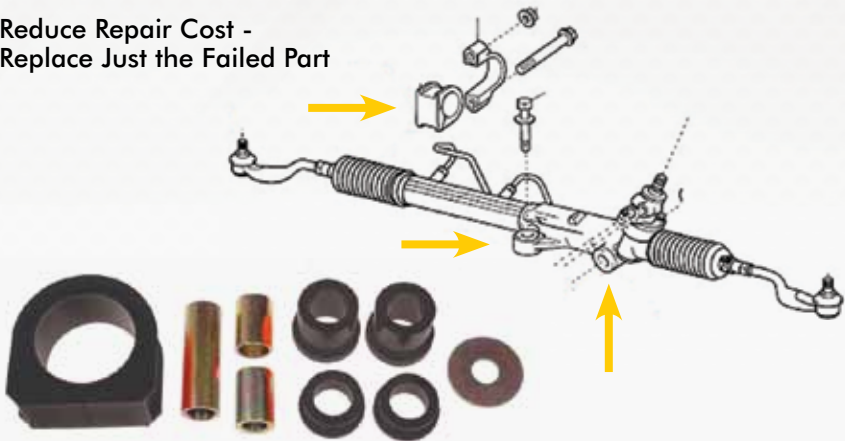
697-910 [FR]
697-911 [FL]
GM Midsize Cars & Vans
2010-97
FWD

ALSO NEW:			
Make, Model	Years	Part #	Position
Hyundai			
Elantra	06-01	697-962	Front Right
Elantra	06-01	697-963	Front Left
Sonata	05-02	697-960	Front Right
Sonata	05-02	697-961	Front Left
XG350	05-02	697-960	Front Right
XG350	05-02	697-961	Front Left
Kia			
Optima	05-02	697-960	Front Right
Optima	05-02	697-961	Front Left

Steering Rack Bushings



Reduce Repair Cost -
Replace Just the Failed Part



905-401
4Runner, Sequoia,
Tacoma, Tundra
2006-95

Two Piece Design for
Ease of Installation -
No Need to Remove Steering Rack

Have a New Product Idea?

Call us! (866) 933-2911

Subframe & Body Mounts



924-010
GM Full Size Trucks
2002-88
(Under Radiator Support)

ALSO NEW:

Make, Model	Years	Part #	Position
Chevrolet			
Impala	05-00	924-006	Front
Impala	05-00	924-007	Rear
Monte Carlo	05-00	924-006	Front
Monte Carlo	05-00	924-007	Rear
300M	04-99	924-013	Front, Rear
Chrysler			
Concorde	04-98	924-013	Front, Rear
LHS	01-99	924-013	Front, Rear
Dodge			
Intrepid	04-98	924-013	Front, Rear
Ford			
Taurus	03-96	924-012	Rear
Mercury			
Sable	03-96	924-012	Rear

Sway Bar Kits

Inspect Bars When Servicing These Vehicles



927-104
Astro, Safari
2005-85
Front

Original Tubular Design

Corrosion Leads to Ends Splitting and Eventually Breaking



Solid Forged Design Eliminates Possibility of Ends Breaking



ALSO NEW:

Make, Model	Year	Part #
Chevrolet Truck		
Express 1500, 2500, 3500	02-96	927-102
Express 1500, 2500, 3500; 4WD	00-88	927-101
GMC Truck		
Savana 1500, 2500, 3500	02-96	927-102
Savana 1500, 2500, 3500; 4WD	00-88	927-101



Subframe Bushings



Control Arms



Wheel Hub Screws

Torsion Bar Mounts



905-507
GM Full Size Trucks
2006-00
Front



905-509
GM Full Size Trucks, H2
2009-01
Front



905-506
GM Full Size Trucks
2007-99
Front

Watts Linkage Bell Crank



905-201
PT Cruiser
2007-01
Rear



Failure Causes Rear Axle Knocking or Clunking

Be the First to Know!

About Formerly "Dealer Only" Parts

Sign Up at DormanProducts.com/Signup

Wheel Hubs (Flange)



930-411
Camry
2003-02



ALSO NEW:			
Make, Model	Years	Part #	Position
Acura			
RSX, Exc. S-Type	06-02	930-460	Front
Chrysler			
PT Cruiser, 33mm Wide Bearing	02-01	930-301	Front
Dodge			
Neon	02-00	930-301	Front
Honda			
Accord, Auto Trans.	07-03	930-454	Front
Accord, Manual Trans.	07-03	930-455	Front
Accord	02-98	930-450	Front
Civic	05-04	930-460	Front
Civic	05-01	930-456	Front
Odyssey	04-99	930-451	Front
Hyundai			
Accent	09-00	930-604	Front
Santa Fe	06-01	930-601	Front
Sonata	09-06	930-603	Front
Tiburon	08-04	930-608	Front
Tucson	2005	930-954	Front
XG300, XG350	02-01	930-608	Front

ALSO NEW:			
Make, Model	Years	Part #	Position
Kia			
Amanti	06-04	930-954	Front
Rio	02-01	930-955	Front
Spectra	09-05	930-953	Front
Spectra5	09-05	930-953	Front
Sportage	2005	930-954	Front
Lexus			
RX300, 4WD	03-99	930-407	Front
Mazda			
Protege, w/ Rear Disc Brakes	03-01	930-552	Front
Protege5, w/ Rear Disc Brakes	03-02	930-552	Front
Mitsubishi			
Lancer	07-05	930-351	Front
Lancer, Wagon RE/E; Sedan	06-04	930-352	Front
Lancer, L and LL - Line	05-02	930-350	Front
Lancer, Sport, M and Wagon LS Line	04-02	930-351	Front
Mirage	02-93	930-350	Front



Wheel Bolts



Wheel Studs



Wheel Nuts

Wheel Hubs (Flange) (cont.)



Common Wheel Hub Failure

Bearing Race Seizes Itself to the Hub,
Preventing Reuse

ALSO NEW:

Make, Model	Years	Part #	Position
Mitsubishi Truck			
Outlander	06-03	930-352	Front
Nissan			
Altima	01-98	930-705	Front
Quest	02-93	930-704	Front
Sentra	06-02	930-706	Front
Plymouth			
Neon	01-00	930-301	Front
Scion			
TC	09-05	930-410	Front
Subaru			
Forester	08-99	930-502	Rear
Toyota			
Camry	03-97	930-408	Front
Camry	01-92	930-407	Front
Corolla	09-03	930-406	Front
Corolla	02-93	930-412	Front
Echo	05-00	930-409	Front
Prius	03-01	930-405	Front
Yaris	09-07	930-413	Front

ALSO NEW:

Make, Model	Years	Part #	Position
Toyota Truck			
4Runner, 4WD	09-03	930-403	Front
Volkswagen			
Golf	05-02	930-803	Front
Jetta, w/ 6-Speed MT	2003	930-803	Front

FREE POSTER!

Wheel Nut Torque Specification Poster

See Back for Complete Details



Electric Vacuum Pump

904-214
Ford Full Size Trucks
2007-99



Fuel Heater Elements



904-210
E Series Vans,
Ford Full Size Trucks
2003-94



DORMAN
Engineering

Ceramic Heating
Element Used in Later
Design Fits All Model
Years

Glow Plug Straps



RUST
Replacements for
Rust Prone Parts



904-109
GM Full Size Trucks
2004-01

DORMAN
Engineering

Corrosion
Resistant Coating



Fuel Injector O-Ring Kits



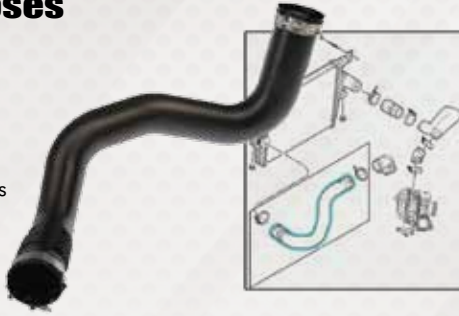
Fuel Injector Harnesses



Injector Sleeves

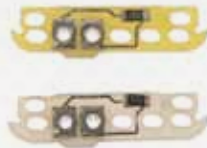
Intercooler Hoses

904-227
Ford Full Size Trucks
2007-04



PMD Components

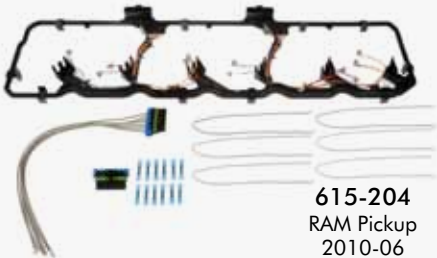
Often Lost When Replacing PMD



904-107
PMD Tuning Resistors
Includes #5 (Stock) &
#9 (Enhanced Responsiveness)

Express, G Van,
GM Full Size Trucks, P Van, Savana
2002-94

Valve Cover Gasket Kits



615-204
RAM Pickup
2010-06

ALSO NEW:

Make, Model	Year	Part #
Chevrolet Truck		
Silverado 2500 HD, 3500	04-01	615-203
GMC Truck		
Sierra, 2500 HD, 3500	04-01	615-203



Fuel Filter Caps



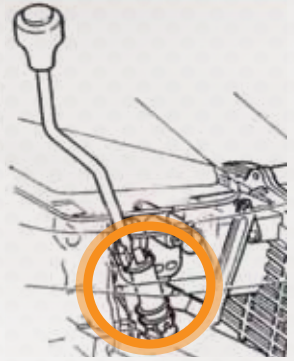
Water Separator Valves



Cylinder Head Plug Seals

4WD Shift Linkage

600-602
Ford Full Size Trucks
1998-92



Includes Plastic Sleeve and Bolt for Complete Repair

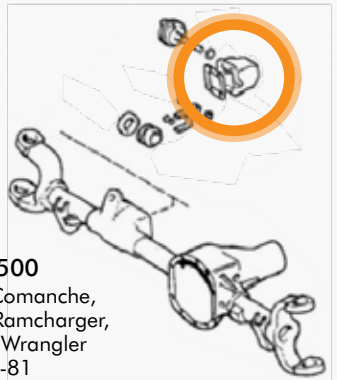
Column Shift Repair Kit



Reduce Repair Cost -
Replace Just the Failed Part

905-104
Explorer, Mountaineer
2005-02

Front Axle Actuator Housing



917-500
Cherokee, Comanche,
Ram Pickup, Ramcharger,
Wagoneer, Wrangler
2002-81



Transmission Line Connector



4WD Actuators



4WD Switches

Front Axle Shafts



Not Part of CV Offerings

630-411
Ram Pickup 1997-94,
Front Right, 4WD

ALSO NEW:

Make, Model	Years	Part #	Position	Description
Dodge Truck				
Ram 1500, 2500 Pickup	97-94	630-412	Front Left	4WD; Dana 44 Axle; w/ABS

Prop Shaft CV Joint Kits



Reduce Repair Cost -
Replace Just the Failed Part



932-301
Grand Cherokee, Liberty
2007-99

ALSO NEW:

Make, Model	Years	Part #
Buick		
Rainier, AWD	07-04	932-102
Chevrolet Truck		
S10 Blazer, AWD	05-95	932-101
S10 Pickup, AWD	04-94	932-101
Trailblazer, 4WD	08-02	932-102
Dodge Truck		
Dakota, 4WD	06-01	932-303
Durango, 4WD	03-01	932-303
Ford Truck		
Explorer, Sport Trac, 4WD	05-97	932-201
Ranger, 4WD	08-98	932-201
GMC Truck		
Envoy, 4WD	08-02	932-102
S15 Jimmy, 4WD	01-95	932-101
Sonoma, 4WD	04-94	932-101
Syclone, Typhoon	04-94	932-102

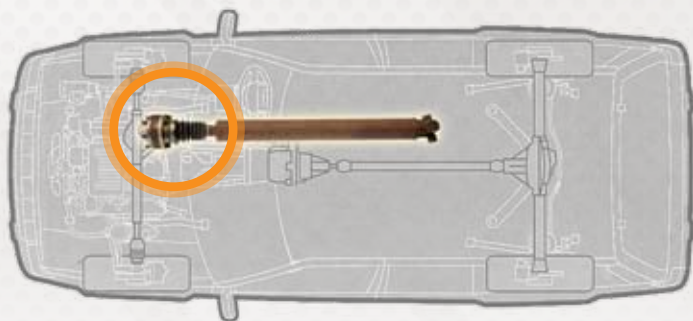
FREE POSTER!

Wheel Nut Torque Specification Poster

See Back for Complete Details



Prop Shaft CV Joint Kits (cont.)



ALSO NEW:

Make, Model	Years	Part #
Isuzu Truck		
Ascender, 4WD	08-03	932-102
Hombre, 4WD	00-98	932-101
Jeep		
Commander, 4WD	2006	932-303
Grand Cherokee, 4WD	06-05	932-303
Jeep (cont.)		
Grand Cherokee, 4WD	04-99	932-302
Grand Cherokee, 4WD	98-93	932-304
Grand Wagoneer, 4WD	1993	932-304
Liberty, 4WD	07-02	932-302
Lincoln		
Aviator, 4WD	05-03	932-201

ALSO NEW:

Make, Model	Years	Part #
Mazda Truck		
B2300, 4WD	08-01	932-201
B2500, 4WD	01-98	932-201
B3000, 4WD	07-98	932-201
B4000, 4WD	08-98	932-201
Mercury		
Mountaineer, 4WD	05-98	932-201
Mitsubishi Truck		
Raider, 4WD	2006	932-303
Oldsmobile		
Bravada, 4WD	04-98	932-102
Saab		
9-7X, 4WD	07-05	932-102

Transmission Speed Sensors



917-609
Elantra, Tiburon
2001-96
Input And Output;
Combo Sensor



4WD Transfer Case Motors



Transmission Cooler Lines



Transmission Pans

Battery Tray

00595
GM Minivans & SUVs
2008-97



Daytime Running Lamp Modules

Failure Renders Headlights Inoperable



704-304

Cherokee, Comanche,
Grand Cherokee, Wagoneer,
Wrangler 2006-90
Module

704-201
Ford
2003-90



ALSO NEW:

Make, Model	Years	Part #	Description
Dodge Truck			
Dakota	00-99	704-305	Module
Durango	00-99	704-305	Module
RAM 1500, 2500, 3500 Pickup	03-99	704-305	Module

Tail Lamp Circuit Boards

923-031
Sprinter
2006-03



Third Brake Lights



923-204

9-7X, Ascender, Bravada,
Envoy, Rainier, Trailblazer
2009-02

ALSO NEW:

Make, Model	Year	Part #
Chevrolet Truck		
Suburban 1500, 2500	06-00	923-203
Tahoe	06-00	923-203
GMC Truck		
Yukon	06-00	923-203
Yukon Denali	06-05	923-203
Yukon XL 1500, 2500	06-00	923-203

Have a New Product Idea?

Call us! (866) 933-2911

Trailer Hitch Plugs



924-308

Aviator, Explorer,
Ford Full Size Trucks,
Mountaineer, Ranger
2010-97



924-307
GM, Isuzu, Saab
2010-99
7-Way Connector



View Installation Video
DormanGuide.com



Air Bag Clock Springs



Backup Sensors



Trunk Lid Pull Down Motors

Coolant Bleeder Screws



902-112
GM
2008-88



Exhaust Manifold Crossover Pipe Kits



679-000
Chrysler Minivans
2000-96

679-001
Chrysler Minivans, Pacifica
2007-01



Oil Dipsticks



917-008
Sentra
2002-00

Be the First to Know!

About Formerly "Dealer Only" Parts

Sign Up at DormanProducts.com/Signup

Oil Feed Lines



Solid Design Eliminates
Leak-prone Hose Connection

See TSB #EG064-05



917-023

Avalon, Camry, ES,
Highlander, RAV4, RX,
Sienna, Venza
2010-05

Oil Pump Seal and O-Ring Kit

82572

Camry, Celica,
MR2, RAV4, Solara
2001-93



Super Charger Coupler



DORMAN
Engineering

Made of High Strength
Nylon for Improved
Performance & Durability



Reduce Repair Cost -
Replace Just the Failed Part

917-022

GM 3.8L
2007-91



Oil Drain Plugs



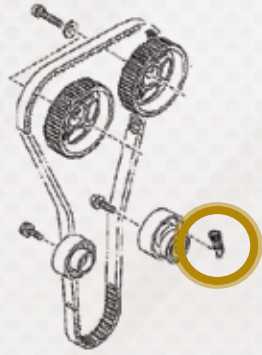
Oil Filter Caps



Oil Cooler Lines

Timing Belt Tensioner Spring

917-025
626, MX-6, Protégé
2003-93



Valve Covers



Failure Mode:
PCV insert strips out of
manifold

917-026
Accent
2003-97

Water Pump Pulleys



300-943
Echo, Prius,
XA, XB, Yaris
2010-00



300-940
GM 4.0, 4.6L
2009-93



300-941
E Series Vans,
Ford Full Size Trucks
2003-98

ALSO NEW:

Make, Engine	Years	Part #
GM		
2.5L	92-87	300-932
2.8, 3.1, 3.4, 3.5L	08-87	300-933
3.8L	95-91	300-934
4.1, 4.5, 4.9L	95-85	300-939
Ford		
4.0L	10-93	300-942
Toyota		
2.4L	10-02	300-938

**Detailed Applications &
Additional Make/Model Coverage!**

Visit DormanProducts.com

A.I.R. Check Valves



911-004
GM 3.1, 3.4, 3.8L
2003-99
Calif

911-003
9-7X, Bravada, Envoy,
Rainier, Trailblazer
2005-04



Air Filter Boxes



258-520
Corolla, Matrix
2006-03

ALSO NEW:

Make, Model	Years	Part #
Dodge		
Neon	05-02	258-521
Lexus		
RX330	06-04	258-522
Toyota		
Camry	06-04	258-522
Sienna	2004	258-522
Solara	06-04	258-522

Air Intake Hoses



696-102
Aveo
2008-04

ALSO NEW:

Make, Model	Years	Part #
BMW		
540i, 740i, 740iL	95-93	696-803
Dodge		
Neon	05-00	696-301
Mazda		
6	04-03	696-608
Protege	01-99	696-604
Protege	98-97	696-609
Plymouth		
Neon	01-00	696-301
Toyota		
Camry	91-87	696-710
Camry, Calif	1996	696-709

Accelerator
Pedal Sensor



Camshaft Synchronizers



DPFE Hoses

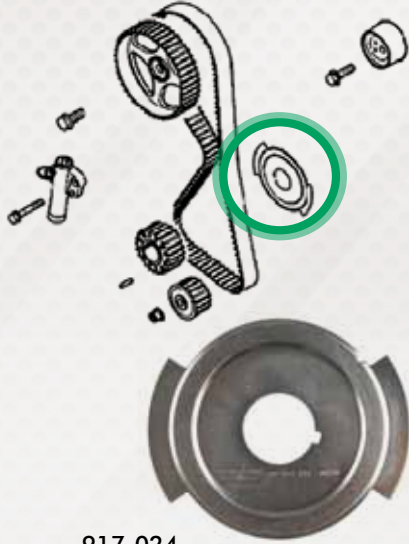


Crank Sensor Wheels

Often Damaged from
Timing Belt Failure



917-028
Santa Fe, Sonata
2005-99



917-024
Eclipse, Galant, Outlander
2005-95

EGR Transducers

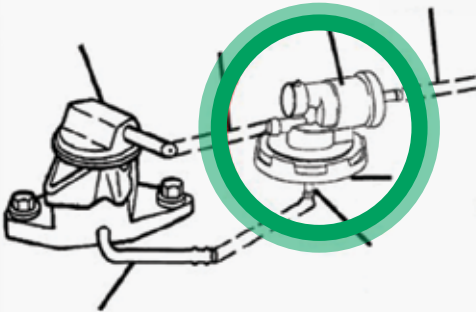


Failure Sets "Check Engine"
Light & EVAP Code

Reduce Repair Cost - Replace
Just the Failed Part



911-201
Chrysler Minivans
2000-96



FREE POSTER!

Wheel Nut Torque Specification Poster

See Back for Complete Details



EGR Tubes

598-115
Ford Full Size Trucks
2004-99



ALSO NEW:		
Make, Model	Years	Part #
Buick		
Century	05-00	598-202
Rendezvous	04-02	598-202
Chevrolet		
Impala	05-00	598-202
Lumina	01-00	598-202
Malibu	03-00	598-202
Monte Carlo	05-00	598-202
Venture	05-00	598-202
Ford Truck		
E Super Duty	1996	598-108

ALSO NEW:		
Make, Model	Years	Part #
Ford Truck (cont.)		
E-350	96-93	598-108
F-250, F-350	97-90	598-108
Oldsmobile		
Alero	04-00	598-202
Silhouette	04-00	598-202
Pontiac		
Aztek	04-01	598-202
Grand Am	05-00	598-202
Grand Prix	03-00	598-202
Montana	05-00	598-202

Fuel Level Sensors

911-005
GM Full Size Trucks
2004-99



No Need to Replace
Entire Fuel Pump Module

ALSO NEW:		
Make, Model	Years	Part #
Buick		
Century	05-00	911-008
Regal	04-00	911-008
Cadillac		
Escalade	03-02	911-007
Chevrolet		
Cavalier	05-00	911-006
Impala	05-00	911-008
Malibu	05-00	911-006
Monte Carlo	05-00	911-008

ALSO NEW:		
Make, Model	Years	Part #
Chevrolet Truck		
Tahoe	03-00	911-007
GMC Truck		
Yukon	03-00	911-007
Oldsmobile		
Alero	04-00	911-006
Intrigue	02-01	911-008
Pontiac		
Grand Am	05-00	911-006
Grand Prix	04-01	911-008
Sunfire	05-00	911-006



Fuel Cap Tethers



Fuel Tank Vent Valves



Electric Air Pumps

Emission Hoses



46033
Chrysler Minivans
2000-96



46032
RAM Pickup
2005-02

Fuel Line Repair Kits

Easily Repair Seized, Cracked or Corroded Lines



800-300
Nylon
Line Repair



800-500
Steel
Line Repair

Fuel Rail Kits



911-200
Chrysler Minivans
2000-96

Have a New Product Idea?

Call us! (866) 933-2911

Intake Manifold Kits

615-377
Windstar
2003-99
Center Manifold



615-565
Camry, Solara
2006-02
Upper, Federal Emissions

ALSO NEW:

Make, Model	Years	Part #
Cadillac		
Concours	99-95	615-190
DeVille	99-96	615-190
Eldorado	99-95	615-190
Seville	99-95	615-190
Chrysler		
Cirrus	2000	615-400
Dodge		
Neon	99-95	615-400
Stratus	00-95	615-400
Ford Truck		
E-Series	99-97	615-285
E-Series	10-00	615-188
Excursion	05-00	615-188
Expedition	05-00	615-188
Expedition	00-97	615-285
F-Series	05-00	615-188
F-Series	00-97	615-285

ALSO NEW:

Make, Model	Years	Part #
Lincoln		
Navigator	99-98	615-285
Oldsmobile		
88	99-95	615-207
98	96-95	615-207
Aurora	99-95	615-190
Plymouth		
Breeze	00-96	615-400
Neon	99-95	615-400



Fuel Line Repair



Fuel Door Spring



Intake Manifold Gasket

PCV Components



46022
PCV Elbow
E Series Vans,
Ford Full Size Trucks
2004-97

47026
Cover, PCV Valve
Astro, Express, GM Full Size Trucks,
P Van, Safari, Savana
2007-97



46023
PCV Elbow
Ranger, Sable, Taurus
2008-00

Purge Valves



Failure Sets "Check Engine"
Light & EVAP Code



911-800
Hyundai, VW
2010-96
Straight Design

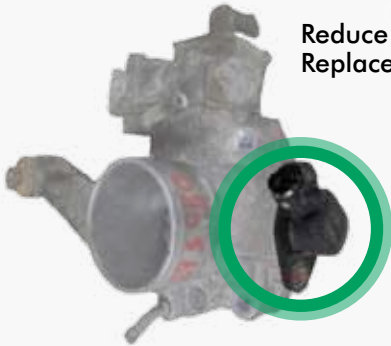


911-701
Mazda 6
2005-03

Throttle Position Sensor



Reduce Repair Cost -
Replace Just the Failed Part



911-753
Accord, Civic, CR-V, CRX,
Del Sol, Integra, Prelude
2001-88



Be the First to Know!

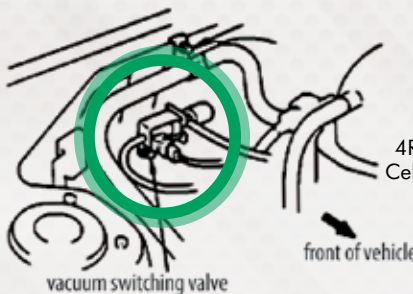
About Formerly "Dealer Only" Parts

Sign Up at DormanProducts.com/Signup

Vacuum Switching Valves



Failure Sets "Check Engine"
Light & EVAP Code



911-601

4Runner, Avalon, Camry,
Celica, Corolla, ES, Matrix,
Sienna, Solara
2005-00



911-850

Chrysler, Dodge, Mitsubishi
2.0, 2.4, 3.0, 3.5L
2007-97

ALSO NEW:

Make, Model	Years	Part #	Description
Lexus			
ES300	03-02	911-606	Air Cleaner Mounted
ES300	99-97	911-605	Purge
ES300	98-97	911-602	At Charcoal Canister
ES330	06-04	911-606	Air Cleaner Mounted
GS300, GS400	00-98	911-602	At Charcoal Canister
Toyota			
Avalon	04-00	911-606	Air Cleaner Mounted
Avalon	99-97	911-605	Purge
Camry	04-00	911-606	Air Cleaner Mounted
Camry	03-97	911-605	Purge
Camry	01-92	911-604	EGR
Camry	99-97	911-602	At Charcoal Canister
Camry	95-94	911-604	EGR; Exc. California
Camry	2003	911-606	Air Cleaner Mounted; Exc. California
Celica	99-98	911-603	Purge
Celica	99-90	911-604	EGR
Celica	95-94	911-604	EGR; Exc. California

ALSO NEW:

Make, Model	Years	Part #	Description
Toyota (cont.)			
MR2	95-91	911-604	EGR
Solara	02-99	911-605	Purge
Solara	01-99	911-604	EGR
Solara	1999	911-602	At Charcoal Canister
Toyota Truck			
RAV4	00-96	911-603	Purge
RAV4	00-96	911-604	EGR
T100	98-97	911-602	At Charcoal Canister
Tacoma	00-96	911-603	Purge
Tacoma	00-96	911-603	Purge; Rust Protection Package Special
Tacoma	1995	911-603	Purge; California and Rust Protection Package Special
Tundra	02-00	911-603	Purge



Fuel Line Connectors & Retainers



Intake Manifold Runner Controls



Fuel Filler Necks

Vapor Canister Vent Valves



Failure Sets "Check Engine"
Light & EVAP Code

911-104

Ford 2.0, 2.3, 3.0,
4.0, 4.6, 5.4L
2010-01



911-803

Hyundai
2010-96
Elbow Design

Infiniti, Nissan 2008-95

911-500



911-501



911-502



911-503



**Detailed Applications &
Additional Make/Model Coverage!**

Visit DormanProducts.com

A/C Bypass Pulleys

Inexpensive Alternative for Seized Compressors

34229
RAM Pickup 5.9L, Diesel
2002-96



ALSO NEW:

Make, Model	Years	Part #
Chevrolet Truck		
Astro	89-87	34152
Blazer	94-89	34152
Full Size Pickup	95-90	34152
Suburban	95-89	34152
S10 Blazer	95-88	34152
S10 Pickup	95-88	34152
Tahoe	1995	34152
Chrysler		
Cirrus	97-95	34227
Dodge		
Stratus	99-95	34227
GMC Truck		
Full Size Pickup	95-90	34152
Jimmy	91-89	34152

ALSO NEW:

Make, Model	Years	Part #
GMC Truck		
Suburban	95-89	34152
S15 Jimmy	95-88	34152
S15 Pickup	90-88	34152
S15 Syclone	1991	34152
S15 Typhoon	93-92	34152
Safari	89-87	34152
Sonoma	95-91	34152
Yukon	95-92	34152
Oldsmobile		
Bravada	94-91	34152
Plymouth		
Breeze	99-97	34227
Toyota		
Corolla	02-98	34230

A/C Line Repair Kit

Over 60 Pieces



**ON-THE-CAR
REPAIR
SOLUTION**



Repair Rear A/C Lines
Splice in New Service Ports

800-600
Universal



Quick Disconnect



Electronic Fan
Clutches



Heater Hose Assemblies

Blend Doors



902-309
 Ram Pickup
 2006-02
 w/ AC



902-311
 Grand Cherokee
 2004-99

Blend Door Actuators



604-112
 GM Full Size Trucks
 2009-03

ALSO NEW:

Make, Model	Years	Part #	
Ford			
Crown Victoria	10-93	604-208	AC Door; w/Manual AC Controls
Ford Truck			
Expedition	06-03	604-209	Main Unit; Manual AC Controls; AC Door
Explorer	10-02	604-211	Auxilliary Unit
Explorer, Sport Trac	10-02	604-209	Main Unit; Manual AC Controls; AC Door
Lincoln			
Aviator	05-03	604-211	Auxilliary Unit; Overhead HVAC; D Shaped Shaft
Mercury			
Grand Marquis	10-93	604-208	AC Door; w/Manual AC Controls
Marauder	04-03	604-208	AC Door; w/Manual AC Controls
Mountaineer	10-02	604-211	Auxillary Unit
Mountaineer	10-02	604-209	Main Unit; Manual AC Controls; AC Door

FREE POSTER!

Wheel Nut Torque Specification Poster

See Back for Complete Details



Blower Motor Resistor Harnesses

973-302

Escape, Ford Full Size Trucks,
Mariner, Mustang, Villager
2007-96



Coolant Bypass



902-702

Golf, Jetta, TT
2006-02

Coolant Flange



902-707

Golf, Jetta
2006-99

Coolant Outlets



902-312

Chrysler, Jeep
3.7, 4.7L
2009-99



Heater Hose Outlet Tubes



Radiator Fan Assemblies



Radiator Fan Blades

Coolant Reservoirs



603-215
Escape, Mariner
2010-01



82597
GM Cars & Trucks
2010-01

Coolant Reservoir Cap

ALSO NEW:

Make, Model	Years	Part #
BMW		
525, 528, 530	03-99	603-536
540, 740, 750	03-95	603-537
840, 850	97-91	603-537
Z8, Alpina	03-02	603-537
Cadillac		
Escalade	04-02	603-102
Chevrolet Truck		
Avalanche	06-02	603-102
Silverado	06-99	603-102
Suburban	06-00	603-102
Tahoe	04-00	603-102
GMC Truck		
Sierra	06-99	603-102
Yukon	04-00	603-102
Honda		
Accord	93-90	603-807
Civic	05-01	603-809
CR-V	06-02	603-810
Hummer		
H2	2003	603-102

ALSO NEW:

Make, Model	Years	Part #
Mazda		
323	89-86	603-541
626	92-88	603-542
MX-6	92-88	603-542
Protege	03-95	603-507
Protege5	03-02	603-507
Nissan		
NX, Japan Built	93-91	603-626
Pulsar	1983	603-624
Pulsar NX	86-83	603-624
Sentra, Japan Built	94-91	603-626
Sentra	86-82	603-624
Nissan Truck		
Frontier	04-98	603-615
Xterra	04-00	603-615
Toyota		
Corolla, USA Made	97-95	603-447
Corolla	95-93	603-447
Corolla	92-88	603-446
Corolla, Wagon	1993	603-446
Corolla, Sedan	1993	603-447

Have a New Product Idea?

Call us! (866) 933-2911

Fan Pulley Brackets

300-805
Amigo, Axiom, Passport,
Rodeo, SLX, Trooper, Vehicross
2004-98



Thermostat Housings

902-204
Explorer, Mountaineer
2001-97



Water Pump Inlet Tube

56398
Cherokee, Comanche,
Dakota, Grand Cherokee,
Wrangler
2006-91



Water Pump Housings



Water Pump Mounting Hardware

NEW Mobile App!

**NEW!
Mobile
App!**

Formerly "Dealer Only" Parts
When & Where You
Need Them.



Add
DORMAN
To Your
Mobile Desktop

Visit DormanProducts.com!

Product Look-Up Available **ONLINE**

The screenshot shows the website's navigation and search interface. On the left, under "Find Your Part By:", there are four search methods: Vehicle Application Search (with a dropdown for Year/Make/Model), Part Category Search (with a dropdown for Part Category), OE Number Search (with a text input for OE Part#), and Part Number/Keyword Search (with a text input for Part Number or Keyword). Below these is a "User Login" section with fields for "Login:" and "Password:", a "Submit" button, and a "Forget Password?" link. At the bottom left, there is a "DORMAN LIVE TECH SUPPORT ONLINE" banner with a "Click Here to Chat!" link and the hours "Monday-Friday 8am-5pm EST". On the right, a large promotional banner features the text "Formerly 'Dealer Only' Parts" and "FREE Torque" in the top right corner. The main text of the banner reads "THINK IT'S DEALER ONLY?" in large, bold letters. Below this, it says "PLASTIC BACK MIRROR GLASS" next to an image of a car's side mirror. At the bottom of the banner, a dark green button says "Click for This Month's New Products".

Web Features:

Product Search

- Four Ways to Find the Product You Are Looking For

Technical Information

- Technical Articles & Tips
- Installation Instructions
- View Product Videos

New Products/New Ideas

- Stay Updated with New Product Emails

Marketing Support

- E-Cat Line Codes, Service Dealer Guides, Posters, Product Information Sheets, and much more...

Visit DormanProducts.com

MONTHLY UPDATES!

DORMAN
NEW SINCE 1918

www.DormanProducts.com

FORMERLY "DEALER ONLY" PARTS

Now Available to the Aftermarket

New Product Announcements

Remanufactured Instrument Clusters

599-322
Express Van, w/o
Tachometer
Gas Engine
2005-03



Ready to Install – Fully Programmed
with Mileage & VIN

FAILURE MODE:

- Crank or non-functional Gauges
- Inaccurate readings

ALSO NEW

599-317
Cruise w/ Tachometer
2005-05

599-318
Surfco w/ Tachometer
2005-03

599-324
Inpala, Mole Calk
w/ Tachometer, & Usage
2005-01

Spindle Stub Shafts

Connects the Wheel Bearing to Rear Suspension of the Vehicle

905-309
Focus
2004-03



Get Monthly New
Product Supplements

Sign Up Now!

FAILURE MODE:

- Rear Wheel Bearing can seize onto the Spindle Stub Shaft causing shaft to fail

Brake Backing Plates (Brake Dust Shields)

Protects the Brake Mechanism from Road Debris.

924-212
Ford Full Size Trucks
2004-09



**STORE
STOCK**

FAILURE MODE:

- Rust and corrosion

Remanufactured Transfer Case Control Modules

Plug & Play for Easy Installation (No Programming Required)

599-100
Bravada, S10
Sonoma, 4WD
Electronic Shift (SP1)
2005-08

Fully Remanufactured &
Tested for Quality Assurance



ALSO NEW

599-101
816, SONOMA, 4WD
1997-04

Prog-Code: (2)
VID: 174,374

FAILURE MODE:

- Corrosion, components degrade over time
- Will not shift in and out of 4WD



View Installation Video
at DormanProducts.com

BE THE FIRST TO KNOW!

Sign Up at www.DormanProducts.com/Signup

Customer Service:
1-800-523-2492

DormanProducts.com/signup

FREE POSTER!

Wheel Nut Torque Specification Poster

Think It's Dealer Only?
Think **DORMAN**.

Learn More About Formerly Dealer Only Parts!

SIGN UP TODAY!

BE THE FIRST TO KNOW! ABOUT FORMERLY DEALER ONLY PARTS!
www.DormanGuide.com

WHEEL NUT TORQUE SPECIFICATIONS (shown in ft. lbs.)

Year	Make	Model	Year	Make	Model	Year	Make	Model	Year	Make	Model	Year	Make	Model
1990	Alfa Romeo	164	1990	Alfa Romeo	164	1990	Alfa Romeo	164	1990	Alfa Romeo	164	1990	Alfa Romeo	164
1991	Alfa Romeo	164	1991	Alfa Romeo	164	1991	Alfa Romeo	164	1991	Alfa Romeo	164	1991	Alfa Romeo	164
1992	Alfa Romeo	164	1992	Alfa Romeo	164	1992	Alfa Romeo	164	1992	Alfa Romeo	164	1992	Alfa Romeo	164
1993	Alfa Romeo	164	1993	Alfa Romeo	164	1993	Alfa Romeo	164	1993	Alfa Romeo	164	1993	Alfa Romeo	164
1994	Alfa Romeo	164	1994	Alfa Romeo	164	1994	Alfa Romeo	164	1994	Alfa Romeo	164	1994	Alfa Romeo	164
1995	Alfa Romeo	164	1995	Alfa Romeo	164	1995	Alfa Romeo	164	1995	Alfa Romeo	164	1995	Alfa Romeo	164
1996	Alfa Romeo	164	1996	Alfa Romeo	164	1996	Alfa Romeo	164	1996	Alfa Romeo	164	1996	Alfa Romeo	164
1997	Alfa Romeo	164	1997	Alfa Romeo	164	1997	Alfa Romeo	164	1997	Alfa Romeo	164	1997	Alfa Romeo	164
1998	Alfa Romeo	164	1998	Alfa Romeo	164	1998	Alfa Romeo	164	1998	Alfa Romeo	164	1998	Alfa Romeo	164
1999	Alfa Romeo	164	1999	Alfa Romeo	164	1999	Alfa Romeo	164	1999	Alfa Romeo	164	1999	Alfa Romeo	164
2000	Alfa Romeo	164	2000	Alfa Romeo	164	2000	Alfa Romeo	164	2000	Alfa Romeo	164	2000	Alfa Romeo	164
2001	Alfa Romeo	164	2001	Alfa Romeo	164	2001	Alfa Romeo	164	2001	Alfa Romeo	164	2001	Alfa Romeo	164
2002	Alfa Romeo	164	2002	Alfa Romeo	164	2002	Alfa Romeo	164	2002	Alfa Romeo	164	2002	Alfa Romeo	164
2003	Alfa Romeo	164	2003	Alfa Romeo	164	2003	Alfa Romeo	164	2003	Alfa Romeo	164	2003	Alfa Romeo	164
2004	Alfa Romeo	164	2004	Alfa Romeo	164	2004	Alfa Romeo	164	2004	Alfa Romeo	164	2004	Alfa Romeo	164
2005	Alfa Romeo	164	2005	Alfa Romeo	164	2005	Alfa Romeo	164	2005	Alfa Romeo	164	2005	Alfa Romeo	164
2006	Alfa Romeo	164	2006	Alfa Romeo	164	2006	Alfa Romeo	164	2006	Alfa Romeo	164	2006	Alfa Romeo	164
2007	Alfa Romeo	164	2007	Alfa Romeo	164	2007	Alfa Romeo	164	2007	Alfa Romeo	164	2007	Alfa Romeo	164
2008	Alfa Romeo	164	2008	Alfa Romeo	164	2008	Alfa Romeo	164	2008	Alfa Romeo	164	2008	Alfa Romeo	164
2009	Alfa Romeo	164	2009	Alfa Romeo	164	2009	Alfa Romeo	164	2009	Alfa Romeo	164	2009	Alfa Romeo	164
2010	Alfa Romeo	164	2010	Alfa Romeo	164	2010	Alfa Romeo	164	2010	Alfa Romeo	164	2010	Alfa Romeo	164
2011	Alfa Romeo	164	2011	Alfa Romeo	164	2011	Alfa Romeo	164	2011	Alfa Romeo	164	2011	Alfa Romeo	164
2012	Alfa Romeo	164	2012	Alfa Romeo	164	2012	Alfa Romeo	164	2012	Alfa Romeo	164	2012	Alfa Romeo	164
2013	Alfa Romeo	164	2013	Alfa Romeo	164	2013	Alfa Romeo	164	2013	Alfa Romeo	164	2013	Alfa Romeo	164
2014	Alfa Romeo	164	2014	Alfa Romeo	164	2014	Alfa Romeo	164	2014	Alfa Romeo	164	2014	Alfa Romeo	164
2015	Alfa Romeo	164	2015	Alfa Romeo	164	2015	Alfa Romeo	164	2015	Alfa Romeo	164	2015	Alfa Romeo	164
2016	Alfa Romeo	164	2016	Alfa Romeo	164	2016	Alfa Romeo	164	2016	Alfa Romeo	164	2016	Alfa Romeo	164
2017	Alfa Romeo	164	2017	Alfa Romeo	164	2017	Alfa Romeo	164	2017	Alfa Romeo	164	2017	Alfa Romeo	164
2018	Alfa Romeo	164	2018	Alfa Romeo	164	2018	Alfa Romeo	164	2018	Alfa Romeo	164	2018	Alfa Romeo	164
2019	Alfa Romeo	164	2019	Alfa Romeo	164	2019	Alfa Romeo	164	2019	Alfa Romeo	164	2019	Alfa Romeo	164
2020	Alfa Romeo	164	2020	Alfa Romeo	164	2020	Alfa Romeo	164	2020	Alfa Romeo	164	2020	Alfa Romeo	164
2021	Alfa Romeo	164	2021	Alfa Romeo	164	2021	Alfa Romeo	164	2021	Alfa Romeo	164	2021	Alfa Romeo	164
2022	Alfa Romeo	164	2022	Alfa Romeo	164	2022	Alfa Romeo	164	2022	Alfa Romeo	164	2022	Alfa Romeo	164

Sign Up Now!

DormanGuide.com/freeposter

Proper
Lug Nut
Tightening
Sequence



4 LUG WHEELS



6 LUG WHEELS



6 LUG WHEELS



7 LUG WHEELS



8 LUG WHEELS

DORMAN
NEW SINCE 1930

Limited Supply

Dorman Products, Inc.
3400 East Walnut St, Colmar, PA 18915
1-800-523-2492 (Customer Service)
www.DormanProducts.com
© 2011 Dorman Products, Inc.

2011000