

Intake Manifold Kits

Dorman-engineered to prevent failure from reoccurring



- Offering the Manifolds That Are Most **Failure Prone**
- Direct OE Replacement

4.6L GM



Dorman® OE Solutions™

Intake Manifold Kits Feature:

- Reinforced aluminum coolant crossover means no repeat failure due to corrosion and vibration.
- Integrated silicone gaskets mean no separate gaskets to deal with, and fewer leak paths at cylinder heads and throttle body.
- Components included.

Typical Failure

- OE Intake cracks due to coolant corrosion and alternator vibrations.

3.8L GM



Dorman® OE Solutions™

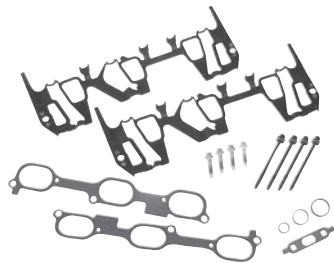
Intake Manifold Kits Feature:

- Reinforced EGR and coolant passage walls for greater durability.
- Includes everything needed to install:
 - Throttle body and intake manifold gasket
 - PCV O-ring and valve cap
 - Breather tube assembly and O-ring
 - Replacement EGR sleeve

Typical Failure

- EGR gas and coolant corrode plastic passages, causing leakage into the engine.

GM Intake Manifold Reseal Kit



- For GM 3.1-3.4 Intake Manifolds
- **ALL** the components needed to **COMPLETE** the job
- Kit includes:
 - New bolts with thread locker
 - Two heater tube O-rings
 - Distributor O-ring
 - EGR valve gasket

Ford Windstar Intake & Valve Cover Repair Kit



- **Dorman Solution:**
 - Complete Kit/One SKU
 - Includes all parts to repair the problem and prevent recurring symptoms
- OE Recognized Problem - Ford TSB - 03-16-1

Activant Path

Fuel Injection

Activant Code

DII

Applications begin on page 275.

Intake Manifolds Kits

- Reinforced In Failure Prone Areas
- Complete with all Gaskets and O-Rings Needed for Installation



615-175

Ford V8 - 4.6L
2006-99, Includes Thermostat, Alternator Brackets and all Gaskets and O-Rings needed for Installation.



615-176

Ford - 4.0L
2001-97, Includes all Gaskets and O-Rings needed for Installation.

Intake Manifold Kits



615-178

Ford 4.6L V-8
2000-96, Includes Thermostat, Alternator Brackets and all Gaskets and O-Rings needed for Installation.



615-179

GM 3.8L Series I V-6
1995-93, Includes Plastic Vacuum Manifold, and all Gaskets and O-Rings needed for Installation.



615-180

GM 3.8L Series II V-6
2005-95, Includes PCV Valve Retainer, Plastic Vacuum Manifold, and all Gaskets and O-Rings needed for Installation.



615-181

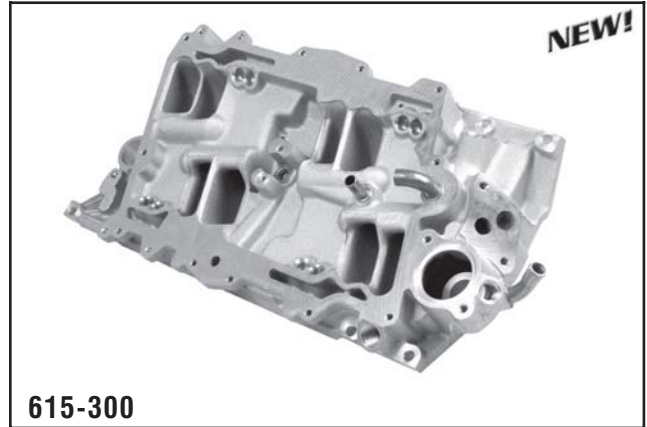
GM 5.0L & 5.7L Vortec® V-8
2002-96, Includes Plastic Vacuum Manifold, and all Gaskets and O-Rings needed for Installation.

Intake Manifolds Kits



615-182

GM 4.3L V-6 Vortec
2006-96, Includes Plastic Vacuum Manifold, and all Gaskets and O-Rings needed for installation.



615-300

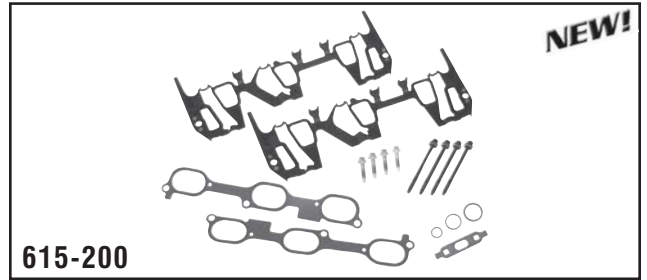
GM
2002-96 Chevrolet/GMC Trucks. Aluminum lower manifold (use with 615-181 upper plenum).

Gasket Kits



615-177

Valve Cover Repair Kit
Ford Windstar 3.8L, 2003-99. Includes Valve Cover, PVC Line, Fuel Pressure Regulator Vacuum Line, 8 Intake Isolator Bolts, Throttle Body Gasket, Idle Speed Control Gasket, Upper Intake Gasket, 6 Intake Port Gaskets.



615-200

Valve Cover Repair Kit
GM 3.1L & 3.4L. Includes Upper & Lower Manifold Gasket Set, 8 Intake Bolts with Thread Locker, 2 Heater Tube O-Rings, Distributor O-Ring, EGR Valve Gasket.

Intake Manifold Kit Applications

Make/Model/Engine	Years	Description	Upper	Lower	Gasket Kit
BUICK					
CENTURY					
V6 - 3.1L (189 CID)	2003-00	-	-	-	615-200
LESABRE					
V6 - 3.8L (231 CID)	2005-96	VIN-K	615-180	-	-
V6 - 3.8L (231 CID)	1995-93	-	615-179	-	-
PARK AVENUE					
V6 - 3.8L (231 CID)	2005-95	VIN-K	615-180	-	-
V6 - 3.8L (231 CID)	1994-93	VIN-L	615-179	-	-
REGAL					
V6 - 3.8L (231 CID)	2004-96	VIN-K	615-180	-	-
V6 - 3.8L (231 CID)	1995-93	-	615-179	-	-
RENDEZVOUS					
V6 - 3.4L (207 CID)	2003-02	-	-	-	615-200
RIVIERA					
V6 - 3.8L (231 CID)	1997-95	VIN-K	615-180	-	-
CHEVROLET					
IMPALA					
V6 - 3.4L (207 CID)	2003-00	-	-	-	615-200
V6 - 3.8L (231 CID)	2005-00	VIN-K	615-180	-	-
LUMINA					
V6 - 3.1L (189 CID)	2001-00	-	-	-	615-200
V6 - 3.8L (231 CID)	1999-98	VIN-K	615-180	-	-
LUMINA APV					
V6 - 3.4L (207 CID)	1996	-	-	-	615-200
V6 - 3.8L (231 CID)	1995-93	-	615-179	-	-
MALIBU					
V6 - 3.1L (189 CID)	2003-00	-	-	-	615-200
V6 - 3.1L (189 CID)	1999	VIN J	-	-	615-200

Make/Model/Engine	Years	Description	Upper	Lower	Gasket Kit
CHEVROLET (continued)					
MONTE CARLO					
V6 - 3.4L (207 CID)	2003-00	-	-	-	615-200
V6 - 3.8L (231 CID)	2005-98	VIN-K	615-180	-	-
VENTURE VAN					
V6 - 3.4L (207 CID)	2003-97	-	-	-	615-200
CHEVROLET TRUCK					
ASTRO					
V6 - 4.3L (262 CID)	2005-96	-	615-182	-	-
C1500 PICKUP					
V6 - 4.3L (262 CID)	1998-96	-	615-182	-	-
V8 - 5.0L (305 CID)	1999-96	-	615-181	615-300	-
V8 - 5.7L (350 CID)	1999-96	-	615-181	615-300	-
C1500 SUBURBAN					
V8 - 5.7L (350 CID)	1999-96	-	615-181	615-300	-
C2500 PICKUP					
V8 - 5.0L (305 CID)	1999-96	-	615-181	615-300	-
V8 - 5.7L (350 CID)	2000-96	-	615-181	615-300	-
C2500 SUBURBAN					
V8 - 5.7L (350 CID)	1999-96	-	615-181	615-300	-
C3500 PICKUP					
V8 - 5.7L (350 CID)	2000-96	-	615-181	615-300	-
EXPRESS 1500					
V6 - 4.3L (262 CID)	2006-96	-	615-182	-	-
V8 - 5.0L (305 CID)	2002-96	-	615-181	615-300	-
V8 - 5.7L (350 CID)	2002-96	-	615-181	615-300	-
EXPRESS 2500					
V6 - 4.3L (262 CID)	2006-98	-	615-182	-	-
V8 - 5.0L (305 CID)	2002-99	-	615-181	615-300	-

Intake Manifold Kits

Intake Manifold Kit Applications

Make/Model/Engine	Years	Description	Upper	Lower	Gasket Kit
CHEVROLET TRUCK (continued)					
EXPRESS 2500 (continued)					
V8 - 5.7L (350 CID)	2002-96	-	615-181	615-300	-
EXPRESS 3500					
V8 - 5.7L (350 CID)	2002-96	-	615-181	615-300	-
G20 VAN					
V6 - 4.3L (262 CID)	1997-96	-	615-182	-	-
V8 - 5.0L (305 CID)	1998-96	-	615-181	615-300	-
G30 VAN					
V8 - 5.7L (350 CID)	1996	-	615-181	615-300	-
G35 VAN					
V6 - 4.3L (262 CID)	1998-96	-	615-182	-	-
K1500 PICKUP					
V6 - 4.3L (262 CID)	1998-96	-	615-182	-	-
V8 - 5.0L (305 CID)	1999-96	-	615-181	615-300	-
V8 - 5.7L (350 CID)	1999-96	-	615-181	615-300	-
K1500 SUBURBAN					
V8 - 5.7L (350 CID)	1999-96	-	615-181	615-300	-
K2500 PICKUP					
V8 - 5.0L (305 CID)	1999-98	-	615-181	615-300	-
V8 - 5.7L (350 CID)	2000-96	-	615-181	615-300	-
K2500 SUBURBAN					
V8 - 5.7L (350 CID)	1999-96	-	615-181	615-300	-
K3500 PICKUP					
V8 - 5.7L (350 CID)	2000-96	-	615-181	615-300	-
P30 VAN					
V6 - 4.3L (262 CID)	1999-96	-	615-182	-	-
V8 - 5.7L (350 CID)	1999-96	-	615-181	615-300	-
S10 BLAZER					
V6 - 4.3L (262 CID)	2005-96	-	615-182	-	-
S10 PICKUP					
V6 - 4.3L (262 CID)	2005-96	-	615-182	-	-
SILVERADO 1500					
V6 - 4.3L (262 CID)	2006-99	-	615-182	-	-
TAHOE					
V8 - 5.7L (350 CID)	2000-96	-	615-181	615-300	-
FORD					
CROWN VICTORIA					
V8 - 4.6L (281 CID)	2006-01	-	615-175	-	-
V8 - 4.6L (281 CID)	2000-96	-	615-178	-	-
MUSTANG					
V8 - 4.6L (281 CID)	2004-99	SOHC, One Piece, Exc. Bullit	615-175	-	-
V8 - 4.6L (281 CID)	1998-96	SOHC; One Piece	615-178	-	-
THUNDERBIRD					
V8 - 4.6L (281 CID)	1997-96	-	615-178	-	-
FORD TRUCK					
EXPLORER					
V6 - 4.0L (245 CID)	2001-97	VIN E, SOHC Engine	-	615-176	-
V8 - 4.6L (281 CID)	2002	-	615-175	-	-
WINDSTAR					
V6 - 3.8L (232 CID)	2003-99	Valve Cover Repair Kit	-	-	615-177
GMC TRUCK					
C1500 PICKUP					
V6 - 4.3L (262 CID)	1998-96	-	615-182	-	-
V8 - 5.0L (305 CID)	1999-96	-	615-181	615-300	-
V8 - 5.7L (350 CID)	1999-96	-	615-181	615-300	-
C1500 SUBURBAN					
V8 - 5.7L (350 CID)	1999-96	-	615-181	615-300	-
C2500 PICKUP					
V8 - 5.0L (305 CID)	1999-96	-	615-181	615-300	-
V8 - 5.7L (350 CID)	2000-96	-	615-181	615-300	-
C2500 SUBURBAN					
V8 - 5.7L (350 CID)	1999-96	-	615-181	615-300	-
C3500 PICKUP					
V8 - 5.7L (350 CID)	2000-96	-	615-181	615-300	-
G2500 VAN					
V6 - 4.3L (262 CID)	1998-96	VIN W	615-182	-	-
V8 - 5.0L (305 CID)	1998-96	-	615-181	615-300	-
G3500 VAN					
V6 - 4.3L (262 CID)	1998-96	VIN W	615-182	-	-
V8 - 5.7L (350 CID)	1996	-	615-181	615-300	-
K1500 PICKUP					
V6 - 4.3L (262 CID)	1998-96	-	615-182	-	-
V8 - 5.0L (305 CID)	1999-96	-	615-181	615-300	-
V8 - 5.7L (350 CID)	1999-96	-	615-181	615-300	-

Make/Model/Engine	Years	Description	Upper	Lower	Gasket Kit
GMC TRUCK (continued)					
K1500 SUBURBAN					
V8 - 5.7L (350 CID)	1999-96	-	615-181	615-300	-
K2500 PICKUP					
V8 - 5.0L (305 CID)	1999-98	-	615-181	615-300	-
V8 - 5.7L (350 CID)	2000-96	-	615-181	615-300	-
K2500 SUBURBAN					
V8 - 5.7L (350 CID)	1999-96	-	615-181	615-300	-
K3500 PICKUP					
V8 - 5.7L (350 CID)	2000-96	-	615-181	615-300	-
P35/P3500 VAN					
V6 - 4.3L (262 CID)	1999-96	-	615-182	-	-
V8 - 5.7L (350 CID)	1999-96	-	615-181	615-300	-
S15 JIMMY					
V6 - 4.3L (262 CID)	2001-96	-	615-182	-	-
S15 SONOMA					
V6 - 4.3L (262 CID)	2005-96	-	615-182	-	-
SAFARI					
V6 - 4.3L (262 CID)	2005-96	-	615-182	-	-
SAVANA 1500					
V6 - 4.3L (262 CID)	2006-96	-	615-182	-	-
V8 - 5.0L (305 CID)	2002-96	-	615-181	615-300	-
V8 - 5.7L (350 CID)	2002-96	-	615-181	615-300	-
SAVANA 2500					
V6 - 4.3L (262 CID)	2006-98	-	615-182	-	-
V8 - 5.0L (305 CID)	2002-99	-	615-181	615-300	-
V8 - 5.7L (350 CID)	2002-96	-	615-181	615-300	-
SAVANA 3500					
V8 - 5.7L (350 CID)	2002-96	-	615-181	615-300	-
SIERRA 1500					
V6 - 4.3L (262 CID)	2006-99	-	615-182	-	-
YUKON					
V8 - 5.7L (350 CID)	2000-96	-	615-181	615-300	-
LINCOLN					
TOWN CAR					
V8 - 4.6L (281 CID)	2006-01	-	615-175	-	-
V8 - 4.6L (281 CID)	2000-96	-	615-178	-	-
MERCURY					
COUGAR					
V8 - 4.6L (281 CID)	1997-96	-	615-178	-	-
GRAND MARQUIS					
V8 - 4.6L (281 CID)	2006-01	-	615-175	-	-
V8 - 4.6L (281 CID)	2000-96	-	615-178	-	-
MOUNTAINEER					
V6 - 4.0L (245 CID)	2001-98	-	-	615-176	-
V8 - 4.6L (281 CID)	2002	-	615-175	-	-
OLDSMOBILE					
88, DELTA 88					
V6 - 3.8L (231 CID)	1999-95	VIN-K	615-180	-	-
V6 - 3.8L (231 CID)	1994-93	-	615-179	-	-
98, 98 REGENCY					
V6 - 3.8L (231 CID)	1996-95	VIN-K	615-180	-	-
V6 - 3.8L (231 CID)	1994-93	VIN-L	615-179	-	-
ALERO					
V6 - 3.4L (207 CID)	2003-99	-	-	-	615-200
BRAVADA					
V6 - 4.3L (262 CID)	2001-96	-	615-182	-	-
INTRIGUE					
V6 - 3.8L (231 CID)	1999-98	VIN-K	615-180	-	-
LSS					
V6 - 3.8L (231 CID)	1999-96	VIN-K	615-180	-	-
SILHOUETTE					
V6 - 3.4L (207 CID)	2003-96	-	-	-	615-200
V6 - 3.8L (231 CID)	1995-93	-	615-179	-	-
PONTIAC					
AZTEK					
V6 - 3.4L (207 CID)	2003-01	-	-	-	615-200
BONNEVILLE					
V6 - 3.8L (231 CID)	2005-95	VIN-K	615-180	-	-
V6 - 3.8L (231 CID)	1994-93	VIN-L	615-179	-	-
GRAND AM					
V6 - 3.4L (207 CID)	2003-99	-	-	-	615-200
GRAND PRIX					
V6 - 3.1L (189 CID)	2003-00	-	-	-	615-200
V6 - 3.8L (231 CID)	2003-97	VIN-K	615-180	-	-
MONTANA					
V6 - 3.4L (207 CID)	2003-99	-	-	-	615-200
TRANS SPORT					
V6 - 3.4L (207 CID)	1998-96	-	-	-	615-200
V6 - 3.8L (231 CID)	1995-93	-	615-179	-	-