

Exhaust Manifold Kits



674-385

GM
1995-87 Caprice, Astro, G-Series Vans 4.3L, LH; 3 Bolts, 3 Nuts, 1 Manifold, 1 Flange.



674-390

GM
2000-96 Trucks 7.4L, RH; 3 Studs, 3 Nuts, 1 Manifold.



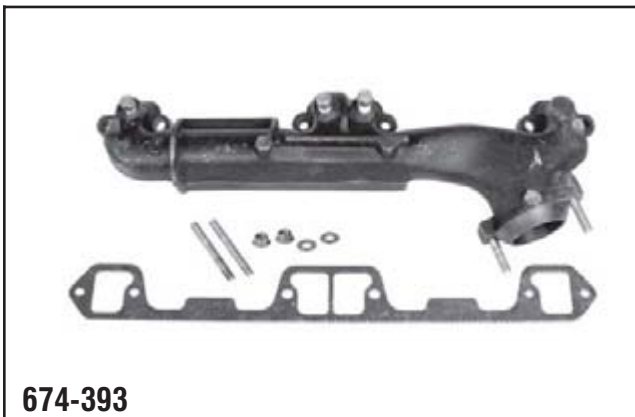
674-391

GM
2000-96 Trucks 7.4L, LH; 3 Studs, 3 Nuts, 1 Manifold.



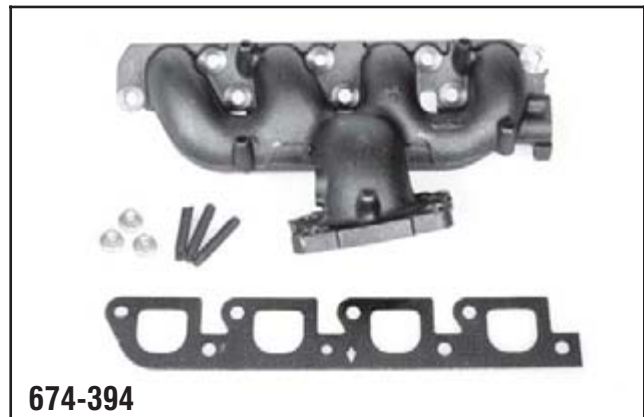
674-392

Jeep
1988-87 Jeep 5.9L, RH; 2 Nuts, 2 Washers, 1 Manifold.



674-393

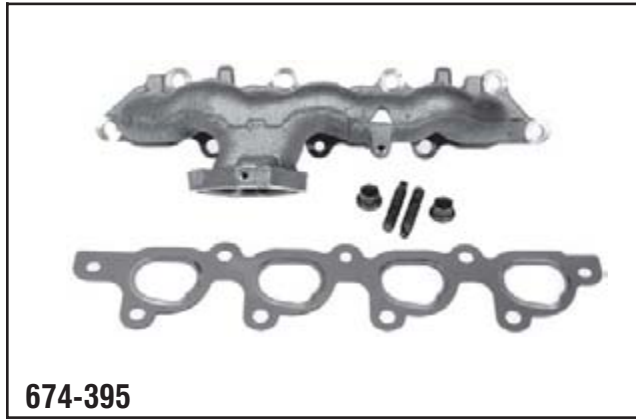
Jeep
1991-87 Jeep 5.9L, LH; 2 Studs, 2 Nuts, 2 Washers, 1 Manifold.



674-394

Ford
2002-97 Escort, Tracer SOHC, 2004-00 Focus; 3 Studs, 3 Nuts, 1 Manifold.

Exhaust Manifold Kits



674-395

Ford
2003-94 Escort, ZX2; 2 Studs, 2 Nuts, 1 Manifold, 1 Flange.



674-398

Ford
1998-97 Trucks 5.4L, RH; 2 Bolts, 1 Manifold.



674-399

Ford
1998-97 Trucks 5.4L, LH; 2 Bolts, 1 Manifold.



674-400

GM/Isuzu
2000-98 Trucks 2.2L; 3 Bolts, 3 Nuts, 1 Manifold.



674-404

Ford
1998-97 Trucks 4.2L RH; 2 Studs, 2 Nuts, 1 Manifold.



674-405

Ford
1998-97 Trucks 4.2L LH; 2 Studs, 2 Nuts, 1 Manifold.

Exhaust Manifold Kits

Exhaust Manifold Kits

Exhaust Manifold Kits



674-406

Ford
1998-97 Trucks 4.6L, RH; 2 Studs, 2 Nuts, 1 Manifold.



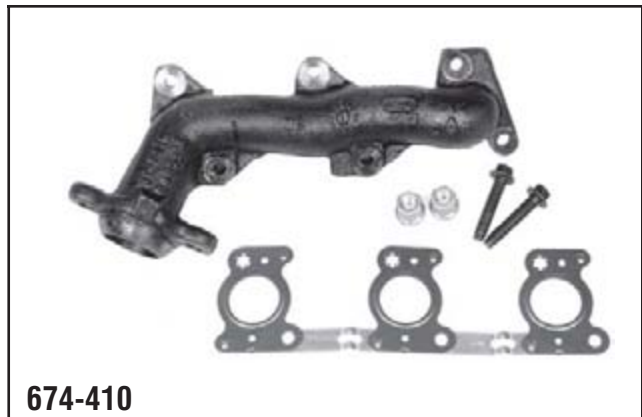
674-407

Ford
1998-97 Trucks 4.6L, LH; 2 Studs, 2 Nuts, 1 Manifold.



674-408

Ford
1993-86 Aerostar, Ranger, 3.0L, RH; 2 Bolts, 1 Manifold.



674-410

Ford
1996-93 Aerostar, Ranger, 3.0L, RH; 2 Studs, 2 Nuts, 1 Manifold.



674-412

Ford
2000-97 Aerostar, Ranger, 3.0L, RH; 2 Bolts, 1 Manifold.



674-413

Ford
1997 Ranger, 3.0L, LH; 2 Studs, 2 Nuts, 1 Manifold.

Exhaust Manifold Kits



674-431

Nissan
2001-96 Pathfinder, QX4, 3.3L, LH; 6 Studs, 6 Nuts, 1 Manifold.



674-432

Nissan
2001-96 Pathfinder, QX4 3.3L, RH; 6 Studs, 6 Nuts, 1 Manifold.



674-433

Nissan
2005-01 Pathfinder, QX4, 3.5L, LH; 6 Studs, 6 Nuts, 1 Manifold.



674-434

Nissan
2005-01 Pathfinder, QX4, 3.5L, RH; 6 Studs, 6 Nuts, 1 Manifold.



674-435

Chrysler
1999-95 Neon, Breeze, Stratus, 2.0L; 2 Bolts, 2 Nuts, 1 Manifold.



674-438

Chrysler
2004-94 Dakota, Pickups, Vans - 3.9L, Right; 2 Bolts, 2 Nuts, 1 Manifold.

Exhaust Manifold Kits

Exhaust Manifold Kits

Exhaust Manifold Kits



674-439

Honda
2000-96 Civic Models, 1.6L (Not For Use in CA); 7 Studs, 7 Nuts, 1 Manifold.



674-440

Nissan
1989-86 Trucks 3.0L, LH; 3 Studs, 3 Nuts, 1 Manifold.



674-441

Chrysler
2000-1998 Stratus, Breeze, Cirrus 2.0L; 4 Nuts, 1 Manifold.



674-442

Chrysler
1991-87 Trucks V6 3.9L, LH; 2 Bolts, 2 Nuts, 1 Manifold.



674-444

Ford
1997-96 Aerostar 3.0L, LH; 2 Studs, 2 Nuts, 1 Manifold.



674-446

GM
2002-96 Trucks, 5.0L 5.7L, RH; 3 Studs, 3 Nuts, 1 Manifold.

Exhaust Manifold Kits



674-447

Ford
2005-01 Ranger 3.0L, LH; 2 Studs, 2 Nuts, 1 Manifold.



674-448

Ford
1998-96 Mustang, 4.6L, LH; 2 Studs, 2 Nuts, 1 Manifold.



674-449

Ford
2005-00 Taurus, Sable, 24 Valve 3.0L, LH; 2 Nuts, 1 Manifold.



674-450

Ford
2002-98 Continental, LH; 2 Studs, 2 Nuts, 1 Manifold.



674-451

Ford
2000-98 Windstar, 3.0L, Front; 2 Bolts, 2 Nuts, 1 Manifold.



674-452

Lincoln
2002-00 Lincoln LS, 3.0L, LH; 2 Studs, 2 Nuts, 1 Manifold.

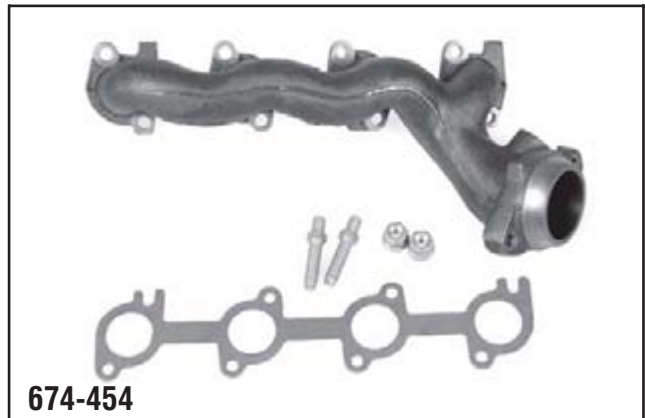
Exhaust Manifold Kits

Exhaust Manifold Kits



674-453

Ford
2004-99 Mustang 4.6L, LH; 2 Studs, 2 Nuts, 1 Manifold, 1 Flange.



674-454

Ford
1998-96 Mustang 4.6L, LH; 2 Studs, 2 Nuts, 1 Manifold.



674-455

Lincoln
2002-98 Continental 4.6L, RH; 2 Studs, 2 Nuts, 2 Manifolds.



674-456

Ford
1996 Taurus, Sable 24 Valve, 3.0L, Front; 2 Studs, 2 Nuts, 1 Manifold.



674-457

Ford
2003-96 Mustang 4.6L DOHC, RH; 2 Studs, 2 Nuts, 1 Manifold.



674-458

Ford
2004-96 Mustang 4.6L SOHC, RH; 2 Studs, 2 Nuts, 1 Manifold.

Exhaust Manifold Kits



674-459

Ford Truck
2005-99 E-Series Vans, 4.6L, RH; 2 Studs, 2 Nuts, 1 Manifold.



674-460

Ford
2002-99 Trucks, LH; 2 Studs, 2 Nuts, 1 Manifold.



674-461

Ford
2002-99 Expedition and Blackwood 5.4L, LH; 2 Studs, 2 Nuts, 1 Manifold.



674-462

Ford
1998-97 E-Series Vans 5.4L, LH; 2 Studs, 2 Nuts, 1 Manifold.



674-464

Toyota
2001-96 Trucks 2.4L/2.7L; 3 Studs, 3 Nuts, 1 Manifold, 1 Flange.



674-465

Ford
1999-97 Explorer 4.0L SOHC, LH; 2 Bolts, 1 Manifold.

Exhaust Manifold Kits

Exhaust Manifold Kits



674-466

Ford
1997-94 Cougar, Thunderbird 4.6L, LH; 2 Studs, 2 Nuts, 1 Manifold.



674-467

Chrysler
2004-00 Jeep 4.0L Front Section; 2 Bolts, 2 Nuts, 1 Manifold.



674-468

Jeep
2004-00 Jeep 4.0L Rear Section; 2 Bolts, 2 Nuts.



674-469

Toyota
1996-92 Camry, 2.2L; 3 Studs, 3 Nuts, 1 Manifold, 1 Flange.



674-500

Chevrolet
1971-70 Corvette 5.4L (327 CID), 5.7L (350 CID) 1967-64 Corvette 5.4L (327 CID); LH, w/Square Bracket, 6 Studs, 3 Nuts, 3 Washers, 1 Flange.



674-501

Chevrolet
1980-69 Corvette 5.7L (350 CID), 1968-66 Corvette 5.4L (327 CID), 1957 Corvette 4.6L (283 CID), 1990-83 Medium Duty School Bus 5.7L; LH & RH, 6 Studs, 3 Nuts, 3 Washers, 1 Flange.

Exhaust Manifold Kits



674-502

Chevrolet

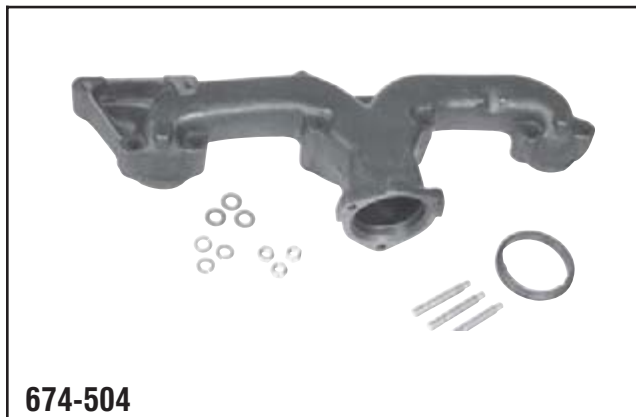
1963-62 Corvette 5.4L (327 CID), 1961-57 Corvette 4.6L (283 CID); LH, 6 Studs, 3 Nuts, 3 Washers, 1 Flange.



674-503

GM

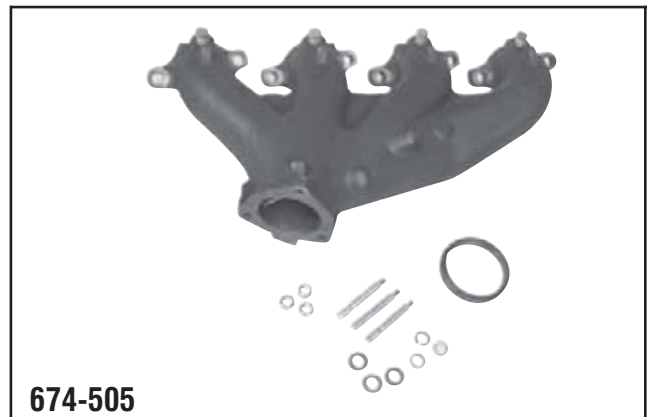
1965-62 5.4L (327 CID) Corvette Ram's Horn, RH, 2-1/2" Dia., 2-1/2" Dia.; 3 Studs, 3 Nuts, 3 Washers, 3 Lock Washers, 1 Flange.



674-504

GM

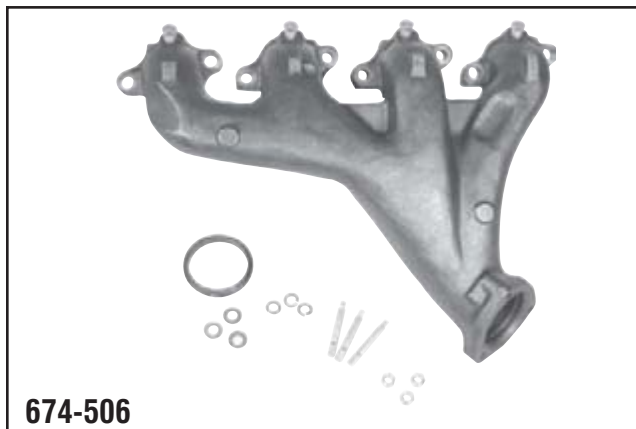
1963-62 5.4L (327 CID) Corvette Ram's Horn, LH, 2-1/2" Dia., 2-1/2" Dia.; 3 Studs, 3 Nuts, 3 Washers, 3 Lock Washers, 1 Flange.



674-505

GM

1974-66 Corvette Big Block 7.0L (427 CID) 7.4L (454 CID) with 2-1/2" Dia Pipe, RH; 3 Studs, 3 Nuts, 3 Washers, 3 Lock Washers, 1 Flange.



674-506

GM

1974-70 7.4L (454 CID) 2-1/2" Dia Corvette, LH; 3 Studs, 3 Nuts, 3 Washers, 3 Lock Washers, 1 Flange.



674-507

Hyundai

1997-96 Elantra, Tiburon 1.8L, 1998 Elantra 2.0L; 3 Studs, 3 Nuts, 3 Washers, 1 Manifold.

Exhaust Manifold Kits

Exhaust Manifold Kits



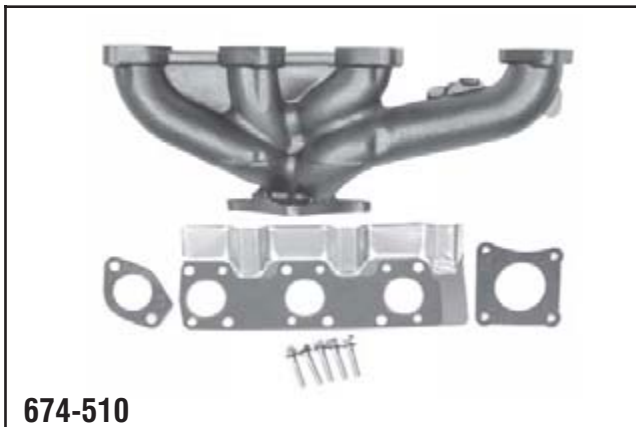
674-508

Nissan
2001-98 Altima 2.4L; 3 Nuts, 1 Manifold.



674-509

Honda
1999-94 Accord/CL/Odyssey 2.2L, 2.3L; 3 Studs, 3 Nuts, 1 Flange.



674-510

Chrysler
2000-96 Dodge Caravan 3.0L, RH; 4 Bolts, 4 Washers, 1 Manifold, 1 Flange.



674-511

Chrysler
1995-89 Chrysler Various Models 3.0L, RH; 2 Bolts, 2 Nuts, 1 Manifold, 1 Flange.



674-512

Honda
1998-92 Civic and Civic Del Sol Si, 1.6L; 3 Studs, 3 Nuts, 1 Manifold.



674-513

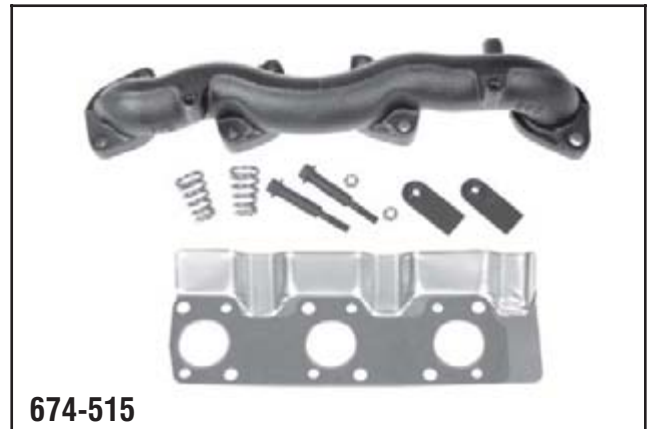
Chrysler
2000-90 Various Models 3.3L/3.8L, LH; 2 Bolts, 2 Springs, 4 Nuts, 2 Lever Nuts, 1 Manifold, 1 Flange.

Exhaust Manifold Kits



674-514

Chrysler
2000-96 Dodge Caravan 3.3L/3.8L, RH; 4 Bolts, 4 Washers, 1 Manifold, 1 Flange.



674-515

Chrysler
2000-87 Various Models 3.0L, LH; 2 Bolts, 2 Springs, 2 Nuts, 2 Lever Nuts, 1 Manifold, 1 Flange.



674-516

GM
1995-90 Chevrolet/GMC Truck 4.3L, RH; 3 Studs, 3 Springs, 3 Nuts, 1 Manifold, 1 Flange.



674-517

GM
1996-91 Chevrolet/GMC Truck 5.7L, RH; 3 Studs, 3 Springs, 3 Nuts, 1 Manifold, 1 Flange.



674-518

GM
1992-87 Camaro and Firebird 5.0L, LH; 4 Studs, 4 Nuts, 1 Manifold.



674-519

GM
1992-87 Camaro and Firebird 5.0L, RH; 4 Studs, 4 Nuts, 1 Manifold.

Exhaust Manifold Kits

Exhaust Manifold Kits



674-520

Chrysler
1996-93 Mitsubishi/Dodge Mirage/Colt 1.5L; 3 Studs, 3 Nuts, 3 Washers, 1 Manifold, 1 Flange.



674-522

GM
2005-99 GM Trucks 5.3L w/o and w/AIR, 6.0L and H2, LH; 3 Studs, 3 Nuts, 3 Studs, 3 Nuts.



674-525

GM
2005-99 GM Trucks 4.8/5.3/6.0L w/o AIR Calif. RH; 3 Studs, 3 Nuts, 1 Manifold.



674-526

GM
1993-89 GM Mid-Size Century/Skylark/Achieva 3.3L, RH; 2 Bolts, 2 Springs, 1 Manifold, 1 Flange.



674-527

Chrysler
1997-96 Dodge Ram Pickups 2500/3500 5.9L Turbo Diesel; 2 Bolts, 1 Manifold, 1 Flange.



674-528

Chrysler
1995-90 Caravan, Imperial, New Yorker, 3.3L RH; 2 Bolts, 2 Springs, 2 Nuts, 2 Lever Nuts, 1 Manifold, 1 Flange.

Exhaust Manifold Kits



674-529

Honda
1996-90 Honda Accord, Prelude 2.2L; 3 Studs, 3 Nuts, 1 Manifold, 1 Flange.



674-530

GM
1988-85 Chevrolet/GMC Truck 5.7L, RH; 3 Studs, 3 Springs, 6 Nuts, 1 Manifold, 1 Flange.



674-531

GM
1988-85 Chevrolet/GMC Truck 5.7L, LH; 3 Studs, 3 Springs, 6 Nuts, 1 Manifold, 1 Flange.



674-532

GM
1995-89 Geo Tracker 1.6L; 3 Studs, 3 Nuts, 3 Washers, 1 Manifold, 1 Flange.



674-533

Chrysler
1994-89 Mitsubishi/Dodge Eclipse, Colt, Talon 1.8L; 3 Studs, 3 Nuts, 3 Washers, 1 Manifold, 1 Flange.



674-534

Chrysler
1999-95 Sebring/Avenger/Talon 2.0L; 2 Bolts, 2 Springs, 2 Nuts, 2 Lever Nuts, 1 Manifold.

Exhaust Manifold Kits

Exhaust Manifold Kits



674-535

Ford
2004-99 Mustang 3.8L, LH; 1 Manifold.



674-536

Ford
2000-99 Mustang 3.8L, RH; 1 Manifold.



674-537

GM
1994-87 G10/20/15/25 Vans 5.0/5.7L, LH; 3 Studs, 1 Manifold, 1 Flange.



674-538

Chrysler
2004-96 Dodge Trucks 5.2/5.9L, RH; 2 Bolts, 2 Nuts, 1 Manifold.



674-540

GM
2005-95 GM Mid-Size Grand Prix/Impala/Regal 3.8L, LH; 2 Studs, 2 Nuts, 1 Manifold.



674-541

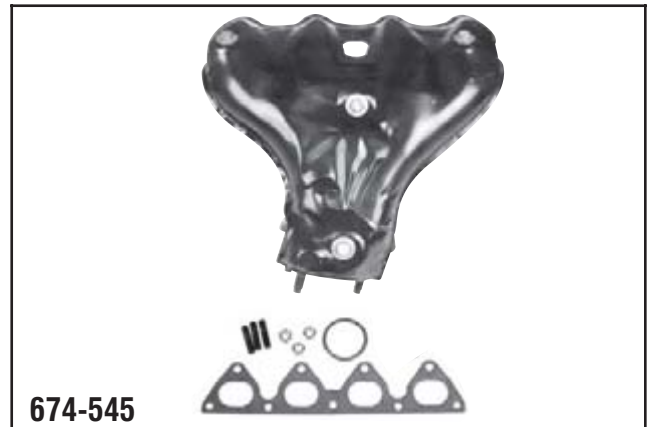
GM
2004-00 GM Mid-Size Grand Prix/Impala/Regal 3.8L, RH; 2 Studs, 2 Nuts, 1 Manifold, 1 Flange.

Exhaust Manifold Kits



674-544

GM
2004-93 GM Mid-Size 3.1L, 3.4L Front; 2 Bolts, 2 Springs, 2 Nuts, 1 Manifold, 1 Flange.



674-545

Honda
1995-88 Honda Civic 1.5/1.6L; 3 Studs, 3 Nuts, 1 Manifold, 1 Flange.



674-546

GM & Toyota
2002-98 GM & Toyota; Prizm, Corolla 1ZZFE Eng.; 2 Bolts, 2 Springs, 1 Manifold.



674-549

Nissan
1993-90 Pickups 2.4L KA24E Eng.; 3 Studs, 3 Nuts, 1 Manifold; 1 Flange.



674-550

GM
1989-86 Blazer S10, S15 Jimmy; 1992-85 Camaro, 1992-85 Firebird, 1994-91 Isuzu PU, 1992-91 Rodeo; All LH; w/o Heat Stove, 4 Bolts, 2 Springs, 4 Nuts, 1 Manifold, 1 Flange.



674-551*

Hyundai
2001-99 Elantra & Tiburon 2.0L (Not For Use in CA); 5 Bolts, 2 Nuts, 1 Head, 1 Flange.

*See page 133 for warranty information.

Exhaust Manifold Kits

Exhaust Manifold Kits

Exhaust Manifold Kits



674-552

Hyundai
1990-95 Trucks and Pathfinder with VG30E Eng; 3 Studs, 3 Nuts, 1 Manifold, 1 Flange.



674-553

Chrysler
2000-99 Caravan/ Voyager 2.4L; 4 Studs, 4 Nuts, 1 Flange, 1 Manifold.



674-554

Ford
2005-99 F150, E150, E250; 4.2L; RH, 2 Studs, 2 Nuts, 1 Manifold.



674-555

Ford
2005-99 F150, E150, E250; 4.2L; LH, 2 Studs, 2 Nuts, 1 Manifold.



674-556

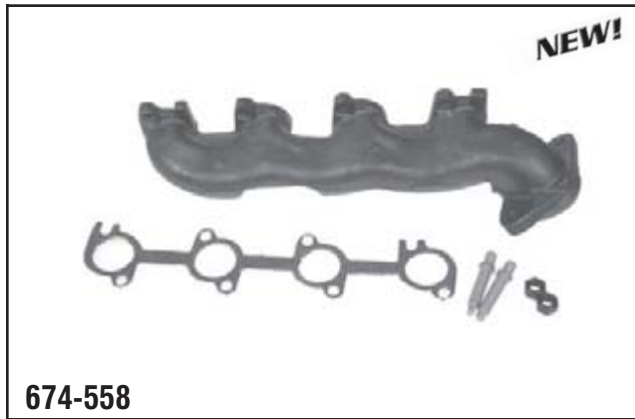
Toyota
1995-94 Celica 1.8L 7AFE Eng; 1996-94 Corolla 1.6/1.8L 4/7AFE Eng; w/O2 sensor in Manifold, 4 Studs, 4 Nuts, 1 Manifold, 1 Flange.



674-557

Ford
2002-95 Ford Crown Victoria; Lincoln Town Car; Mercury Grand Marquis; 4.6L, RH, 2 Studs, 2 Nuts, 1 Manifold.

Exhaust Manifold Kits



674-558

Ford
2002-95 Ford Crown Victoria, Grand Marquis, Lincoln Town Car; LH, 2 Studs, 2 Nuts, 1 Manifold.



674-559

Ford
2005-00 F150 Pickups, F250/350 Super Duty; 2002-00 E Series Super Duty; 05-00 E150/250/350/Ecursion; 02-99 Expedition; 1999 F250 PU; 5.4L (330 CID), RH, 2 Studs; 2 Nuts, 1 Manifold.



674-560

Ford
2005-00 F250/350 Super Duty; 2002-00 E Series Super Duty; 2005-00 E150/250/350 Excursion; 01-99 F150 PU; 99 F250 PU; 5.4L (330 CID) LH, 2 Studs; 2 Nuts, 1 Manifold.



674-566

Ford
2003-00 Ford Taurus and Mercury Sable, 12 Valve, 3.0L; 4 Nuts, 1 Manifold.



674-567

GM
2003-99 Alero, Grand Am, Montana 3.4L; 2003-97 Century, Malibu, Venture, Grand Prix 3.1L & 3.4L; 2003-96 Silhouette 3.1L; 2003-02 Rendezvous 3.4L; 2003-01 Aztek 3.4L; 2003-00 Impala, Monte Carlo 3.4L; 2001-97 Lumina 3.1L; 1999-97 Monte Carlo, Cutlass 3.1L; 1998-97 Achieva; 3 Studs, 3 Nuts, 1 Manifold, 1 Flange.



674-568

General Motors
2005-97 Buick LeSabre, Pontiac Bonneville; 2005-99 Buick Park Ave; 1999 Buick Rivier, Oldsmobile Delta 88; 1999-97 Oldsmobile LSS; 1998-95 Oldsmobile 88; 3.8L (231 CID); RH, 2 Studs, 2 Nuts, 1 Manifold, 2 Flange.

Exhaust Manifold Kits

Exhaust Manifold Kits

Exhaust Manifold Kits



674-569

GM
2001 Astro, Safari Vans; 2001-98 S10 Blazer, S10 Pickups, S15 Jimmy, Sonoma, Bravada; 4.3L; RH w/Air Pump, 3 Studs, 2 Mounting Studs, 3 Nuts, 2 Flange Nuts, 1 Manifold, 1 Flange.



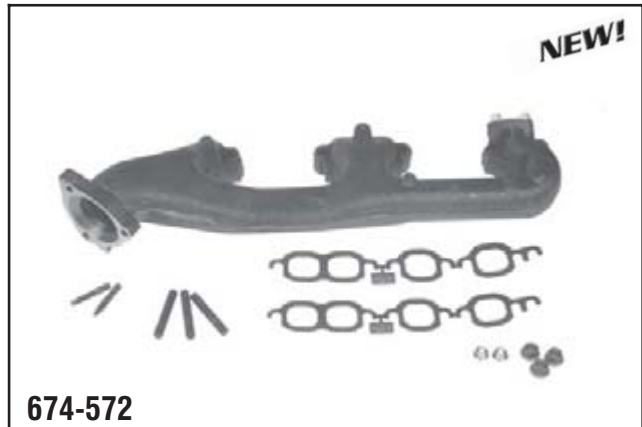
674-570

GM
2001-98 S10 Blazer, S10 Pickups, S15 Jimmy, Sonoma, Bravada; 4.3L; LH; w/Air Pump; 3 Studs, 3 Nuts, 2 Mounting Studs, 2 Flange Nuts, 1 Manifold, 1 Flange.



674-571

GM
2002-98 Cavalier, Sunfire, 2.2L; VIN 4, 2 Bolts, 2 Washers, 1 Manifold, 1 Flange.



674-572

GM
1999-98 C/K Pickups & Suburban, 5.7L, RH; 2000-98 C/K Pickups, Yukon, Tahoe, 5.7L, RH; 2000-99 Cadillac Escalade, 5.7L; RH, 3 Studs, 3 Nuts, 2 Mounting Studs, 2 Flange Nuts, 1 Manifold, 1 Flange.



674-573

GM
2002-00 Express, Savana (Calif); 2000-99 Escalade; 2000-98 Pickup, Tahoe, Yukon, 1999-98 Suburban; 5.7L; LH; w/Air Pump, 3 Studs, 3 Nuts, 2 Mounting Studs, 2 Flange Nuts, 1 Manifold, 1 Flange.



674-575

GM
1996-94 Century, Beretta, Corsica, Cutlass Ciera; 1997-94 Cavalier; 1997-95 Sunfire; 2.2L, 2 Bolts, 2 Washers, 1 Manifold, 1 Flange.

Exhaust Manifold Kits



674-577

GM
 1995-93 LeSabre, Minivans, Park Avenue, 88, 98, Bonneville, Riviera, 3.8L; 1995-92 Regal, 3.8L; 1996 LSS, 3.8L; 2 Studs, 1 Manifold, 1 Flange.



674-578

Infiniti/Nissan
 2001-96 Infiniti I30 V6-3.0L, LH; 2001-95 Nissan Maxima V6-3.0L; RH, 3 Studs, 3 Nuts, 1 Manifold.



674-579

Nissan/Infiniti
 1999 I30 3.0L (Exc Calif), RH; 1998-96 I30 3.0L, RH; 2001-99 Maxima 3.0L (Exc Calif), LH; 1998-95 Maxima 3.0L; LH, 3 Studs, 3 Nuts, 1 Manifold.



674-583

GM
 1989-86 S15 Jimmy, S10 Blazer, 1993-86 Sonoma, S10 Pickups; 2.8L; RH, 2 Studs, 2 Springs, 1 Manifold, 1 Flange.



674-584

Volvo
 1995-93 Volvo 850, 10 Valve, 2.4L; 4 Studs, 4 Nuts, 1 Manifold.



674-585

Volvo
 1997-94 Volvo 850, 2.4L; 1998 Volvo C70, 2.4L; 2000-98 Volvo S70, V70, 2.4L; 2004-01 Volvo V70, 2.4L; 4 Studs, 4 Nuts, 1 Manifold.

Exhaust Manifold Kits

Exhaust Manifold Kits

Exhaust Manifold Kits



674-586

Ford
2002-99 F150, Expedition 4.6L and 1999 F250 4.6L, RH; 4 Studs, 4 Nuts; 1 Manifold.



674-587

Ford
2002-99 F150, Expedition & F250 4.6L, LH; 4 Studs, 4 Nuts, 1 Manifold.



674-588

Chrysler
2000 Dodge/ Plymouth Neon SOHC VIN C and 2001 Exc. R/T; 4 Studs, 4 Nuts, 2 Manifold, 1 Flange.



674-589

Nissan
2001-98 Frontier 2.4L; 3 Studs, 3 Nuts, 4 Manifold, 1 Flange.



674-592

Chrysler
1995-89 Various Models 3.0L, RH; 2 Studs, 2 Nuts, 2 Manifold, 1 Flange.



674-593*

Toyota
2003-01 RAV4 (Not for Use in CA) 2 Studs; 2 Nuts, 9 Bolts, 9 Washers, 1 Flange.

*See page 133 for warranty information.