

Control Arms



The Most Comprehensive, All-Inclusive Control Arm Program in the Aftermarket

- Coverage for the most failure-prone applications
- Late-model coverage not offered elsewhere in the aftermarket
- Best OE stocking SKUs
- Coverage includes: Asian, Domestic and European Makes, Popular Light Trucks and SUVs



520-301
Chrysler Cirrus,
Dodge Stratus
2000-96



520-767
Volkswagen Passat
2005-98



520-202
Ford Contour, Cougar
Mercury Mystique
2000-99

Features and Benefits

- Direct OE Replacement
- Complete assemblies including ball joint, bushings, and new hardware

Kit Contents

*New Dorman Hardware included
(where applicable)*

Typical Failures

- Cracked or torn ball joint boots allow grease to escape, causing corrosion, wear and failure.
- Loose ball joints and bushings create noise, vibration, drivability and safety issues.
- Control arms bend due to curb impact.

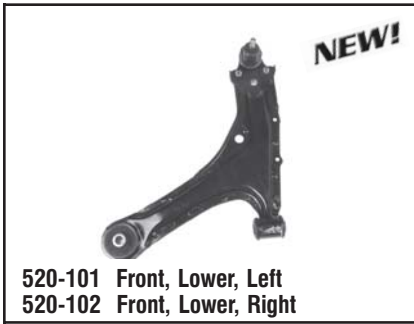
Activant Path

**CHASSIS & STEERING/
SUSPENSION PARTS**

Activant Code DCO

**Applications begin
on page 40.**

Control Arms



520-101 Front, Lower, Left
520-102 Front, Lower, Right

GM
2005-95 GM Cavalier, Sunfire and Metro



520-107 Rear, Lower, Left
520-108 Rear, Lower, Right

GM
1994-92 Suzuki Swift



520-111 Front, Lower, Left
520-112 Front, Lower, Right

GM
1997-95 Geo Metro



520-113 Front, Lower, Left
520-114 Front, Lower, Right

GM
1984-73 GM 2WD Pickups, Vans, and Suburban



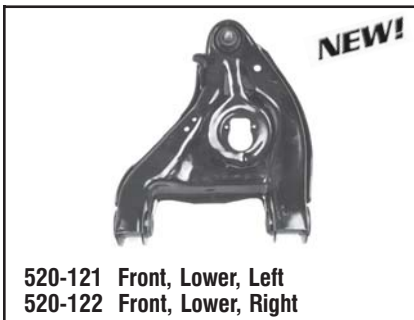
520-116 Front, Upper, Left and Right

GM
2006-99 GM Pickups, Express, Savana, and Yukon



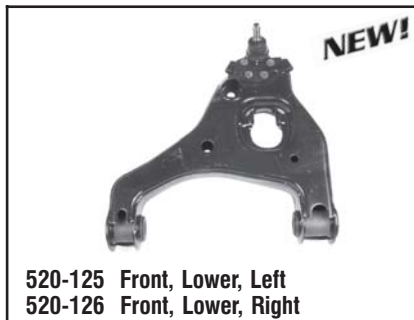
520-119 Front, Upper, Left
520-120 Front, Upper, Right

GM
1996-77 GM Caprice, LeSabre, and Bonneville



520-121 Front, Lower, Left
520-122 Front, Lower, Right

GM
2000-88 GM Pickups, Express, Savana, and Yukon



520-125 Front, Lower, Left
520-126 Front, Lower, Right

GM
2006-00 GM Sierra and Silverado 1500



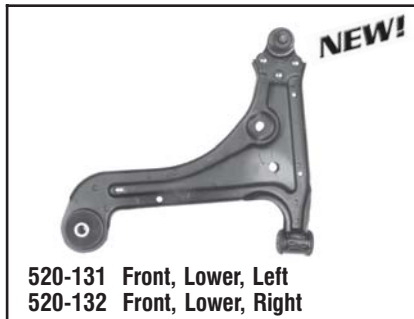
520-127 Front, Lower, Left
520-128 Front, Lower, Right

GM
2006-99 GM Pickups, Express, Savana, and Yukon



520-129 Front, Upper, Left
520-130 Front, Upper, Right

GM
2002-92 GM C/K Pickups, Express, Yukon, Suburban



520-131 Front, Lower, Left
520-132 Front, Lower, Right

GM
1998-95 GM Grand Am, Corsica, and Beretta



520-133 Front, Lower, Left
520-134 Front, Lower, Right

GM
2004-97 GM Grand Am, Cutlass, Malibu and Alero

Control Arms



GM
2004-97 GM S10 and S15



GM
2005-82 GM S10 and S15



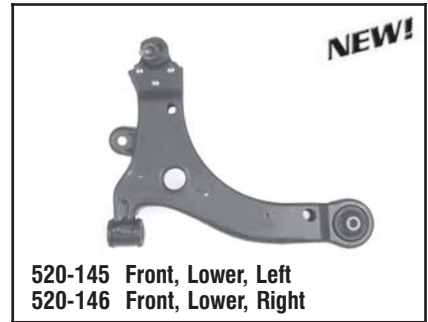
GM
2004-84 GM 4WD S10 and S15



GM
2000-83 GM 4WD S10 and S15



GM
2006-02 GM S10 Trailblazer, S15 Envoy, Rainier, and Bravada



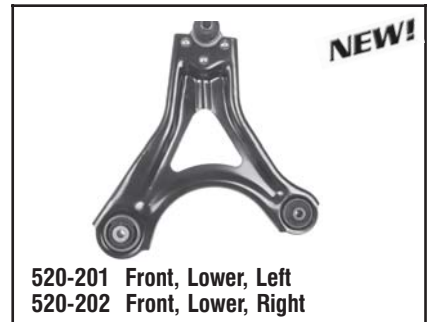
GM
2005-97 GM Venture Vans, Silhouette, and Montana



GM
2006-99 GM Pickups, Suburban, H2 and Yukon



GM
2002-91 Saturn SW, SL and SC



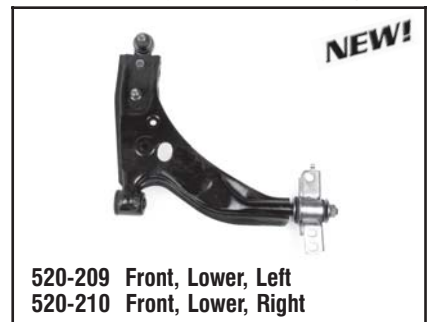
Ford
2000-99 Ford Cougar, Contour and Mystique



Ford
2002-95 Ford Cougar, Contour and Mystique



Ford
2002-95 Ford Town Car, Grand Marquis and Crown Victoria



Ford
1996-91 Ford Escort and Tracer

Control Arms

Control Arms



Ford
1983-81 Ford Escort, LN7, Lynx, and EXP



Ford
1994-84 Ford Escort, LN7, Lynx, and EXP



Ford
2004-97 Ford 4WD F150, Expedition, Navigator



Ford
2004-97 Ford 2WD F150, Expedition, Navigator



Ford
2004-97 Ford 2WD F150, Expedition, Navigator



Ford
2005-96 Ford Explorer, Ranger, and Mountaineer



Ford
2006-95 Ford Explorer, Ranger, and Mountaineer



Ford
1993-88 Ford Festiva



Ford
2004-00 Ford Focus



Ford
2006-98 Ford Ranger



Ford
1995-86 Ford Taurus and Sable



Ford
1997-89 Ford Cougar and Thunderbird

Control Arms



Ford
1998-95 Ford Windstar



Ford
1994-88 Ford Continental



Ford/Mazda
1992-88 Ford Probe, Mazda 626 and MX-6



Ford/Mazda
1997-93 Ford Probe, Mazda 626 and MX-6



Ford
1992-90 Ford Probe



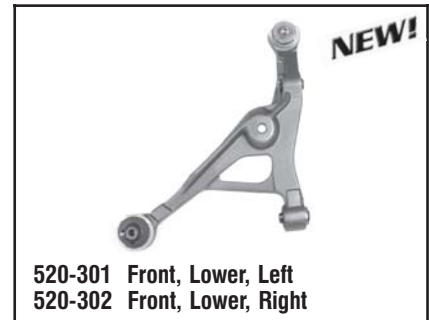
Mercury
1989-85 Mercury XR4Ti



Mercury/Nissan
2002-99 Mercury Villager, Nissan Quest



Nissan
1998-93 Nissan Quest



Chrysler
2000-96 Chrysler Sebring, Stratus, Cirrus and Breeze



Chrysler
2004-93 Chrysler Intrepid, Concord, LHS, and 300M



Chrysler
2004-00 Dodge 4WD Dakota and Durango



Chrysler
1999-97 Dodge 4WD Dakota and Durango

Control Arms



Chrysler
2004-00 Dodge 4WD Dakota



Chrysler
1999-97 Dodge 4WD Dakota and Durango



Chrysler
2005-04 Dodge Durango



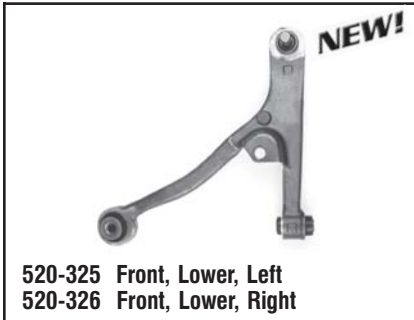
Chrysler
2003-79 Dodge Full-Size Vans



Chrysler
2003-79 Dodge Full-Size Vans



Chrysler
2005-00 Chrysler Neon



Chrysler
1999-95 Chrysler Neon



Chrysler
2006-01 Chrysler Neon and PT Cruiser



Chrysler
1996-79 Chrysler B and P Vans



Chrysler
1997-79 Chrysler B and P Vans



Chrysler
2006-01 Chrysler Minivans



Chrysler
2000-96 Chrysler Minivans

Control Arms



Chrysler
1995-91 Chrysler Minivans



Chrysler/Mitsubishi
1993 Mitsubishi Galant



Chrysler
2004-00 Dodge Durango and Dakota



Chrysler
1986-85 Chrysler Colt



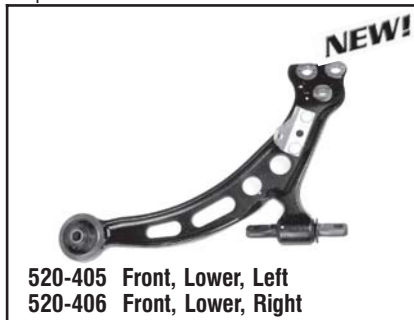
Chrysler/Mitsubishi
2000-93 Chrysler Sebring, Mitsubishi Galant and Eclipse



Toyota
2006-02 Toyota Camry



Toyota
2001-97 Toyota Camry



Toyota
1996-92 Toyota Camry



Toyota
1991-87 Toyota Camry



Toyota
1987-86 Toyota Celica



Toyota
1985-82 Toyota Celica



Toyota
1981-76 Toyota Celica and Supra

Control Arms

Control Arms



Toyota
2002-97 Toyota Corolla



Toyota
1995-94 Toyota Corolla



Toyota
1993-88 Toyota Corolla



Toyota
1987-84 Toyota Corolla



Toyota
1992-89 Toyota Cressida



Toyota
1988-85 Toyota Cressida



Toyota
1984-81 Toyota Cressida



Toyota
1994-91 Toyota Tercel and Paseo



Toyota
2000-96 Toyota RAV 4



Toyota
1984-81 Toyota Starlet



Toyota
1996-93 Toyota Supra



Infiniti/Nissan
2003-96 Nissan Pathfinder and Infiniti QX4

Control Arms



Nissan
1988-81 Nissan 200SX and 810



Nissan
1993-89 Nissan 240SX



Nissan
1985-80 Nissan 720 Pickups



Nissan
2005-02 Nissan Altima



Nissan
1997-93 Nissan Altima



Nissan
2002-99 Nissan Maxima



Nissan
1999-95 Nissan Maxima



Nissan
1991-89 Nissan Maxima



Nissan
2000-95 Nissan Sentra



Nissan
1994-91 Nissan Sentra



Nissan
1990-87 Nissan Sentra



Acura
1993-90 Acura Integra

Control Arms



Acura
1995-91 Acura Legend



Honda/Acura
1991-87 Honda Civic and Acura Legend



Honda
2002-98 Honda Accord



Honda
2002-98 Honda Accord



Honda/Acura
1999-94 Honda Accord and Acura CL



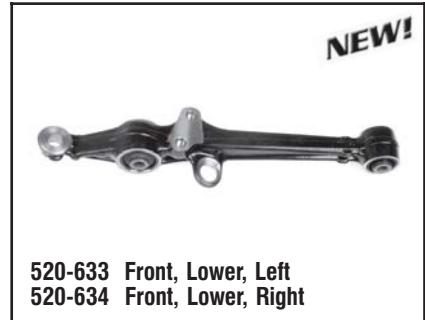
Honda/Acura
1999-94 Honda Accord and Acura CL



Honda
1995 Honda Accord



Honda
1993-90 Honda Accord



Honda
1993-90 Honda Accord



Honda
1993-90 Honda Accord



Honda
1993-90 Honda Accord



Honda
1989-86 Honda Accord

Control Arms



Honda
1989-86 Honda Accord



Honda
1989-87 Honda Accord



Honda
2001-97 Honda CR-V



Honda
2001-97 Honda CR-V



Honda
1982-79 Honda Prelude



Honda
1985-84 Honda Accord



Honda
1983-82 Honda Accord



Honda
1981-76 Honda Accord



Honda
2000-96 Honda Civic



Honda
2000-96 Honda Civic



Honda
2000-92 Honda Civic and Del Sol



Honda
1995-92 Honda Civic

Control Arms



520-675 Front, Upper, Left
520-676 Front, Upper, Right

Honda
1995-92 Honda Civic and Del Sol



520-677 Front, Lower, Left
520-678 Front, Lower, Right

Honda/Acura
1993-88 Honda Civic and Acura Integra



520-683 Front, Lower, Left
520-684 Front, Lower, Right

Honda
1987-84 Honda Civic and CRX



520-688 Front, Lower, Left and Right
520-690 Front, Lower, Left and Right

Honda
1983-80 Honda Civic



520-709 Front, Lower, Left
520-710 Front, Lower, Right

Audi
1991-80 Audi 100/200



520-717 Front, Lower, Left
520-718 Front, Lower, Right

Audi
1996-92 Audi 100, S4 and A6 Quattro



520-721 Front, Lower, Left
520-722 Front, Lower, Right

BMW
1981-77 BMW 528i, 530i, 630CSi and 633CSi



520-725 Front, Lower, Left
520-726 Front, Lower, Right

BMW
1983-78 BMW 320i



520-727 Front, Lower, Left
520-728 Front, Lower, Right

BMW
1983-78 BMW 733i



520-729 Front, Upper, Left
520-730 Front, Upper, Right

BMW
1988-87 BMW M6



520-731 Front, Lower, Left
520-732 Front, Lower, Right

BMW
1991-84 BMW 3 Series



520-733 Front, Lower, Left
520-734 Front, Lower, Right

BMW
1995-89 BMW 5 Series

Control Arms



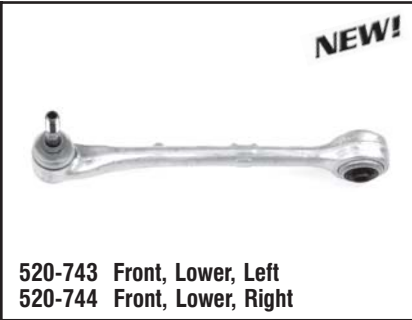
BMW
1995-89 BMW 5 Series



BMW
2003-97 BMW 540i and M5



BMW
2002-92 BMW 3 Series



BMW
2001-95 BMW 7 Series



Mercedes
1983-75 Mercedes-Benz 240, 280, 300,
and 450



Mercedes
1991-82 Mercedes-Benz 300, 350, 420 and 560



VW
2006-08 Volkswagen Jetta, Beetle, and Golf



Audi
2002-96 Audi A4 and A4 Quattro



VW
2003-98 Volkswagen Passat and Audi A4 and A8



VW/Audi
2005-01 Volkswagen Passat and Audi A4
and RS6



VW/Audi
2005-96 Volkswagen Passat and Audi A4, A6
and A8



Hyundai/Mitsubishi
1994-90 Hyundai Excel and Mitsubishi Precis

Control Arms



520-811 Front, Lower, Left
520-812 Front, Lower, Right

Mazda
1989-86 Mazda 323



520-813 Rear, Front Lat Link, Left
520-814 Rear, Front Lat Link, Right

Mazda
1995-90 Mazda 323 and Protege



520-816 Rear, Rear Lat Link, Left and Right

Mazda
1995-90 Mazda 323 and Protege



520-817 Front, Lower, Left
520-818 Front, Lower, Right

Mazda
1995-90 Mazda 323 and Protege



520-819 Front, Lower, Left
520-820 Front, Lower, Right

Mazda
1987-83 Mazda 626



520-821 Front, Lower, Left
520-822 Front, Lower, Right

Mazda
1995-92 Mazda 929



520-824 Front, Lower, Right

Mazda
1991-90 Mazda 929



520-825 Front, Lower, Left
520-826 Front, Lower, Right

Mazda
1993-86 Mazda B2200 and B2600



520-830 Front, Lower, Left and Right

Mazda
1996-89 Mazda MPV



520-835 Front, Upper, Left
520-836 Front, Upper, Right

Mitsubishi
1994-93 Mitsubishi Galant



520-837 Front, Lower, Left
520-838 Front, Lower, Right

Mitsubishi
1993-89 Mitsubishi Galant



520-839 Front, Lower, Left
520-840 Front, Lower, Right

Mitsubishi
1996-93 Mitsubishi Mirage

Control Arms



Mitsubishi
2002-93 Mitsubishi Mirage



Mitsubishi
2002-93 Mitsubishi Mirage



Suzuki
1998-89 Suzuki Sidekick and X-90



Suzuki
2001-89 Suzuki Swift

Control Arms

CONTROL ARMS

First True Control Arm Program to the Aftermarket!

- Direct OE Replacement
- Over 300 SKUs
- Control Arms Fail and Are Stocked at OE Dealerships

FAILURE MODES:

Wear

- Worn Ball Joint Deforms Control Arm Seat
- Damaged When Pressing Out / In Ball Joint
- Worn Bushings Can Damage the Arm

Crash / Road Hazard

- Control Arms Bend / Deform Due to Minor Impacts
- Control Arms Can Bend from Pot Holes, Curbs, and Speed Bumps

Component Wear on Integrated Assemblies

- Ball Joint or Bushings Cannot Be Replaced Separately on Some Units

