

**100%
NEW**

Brake Caliper Assemblies



100% NEW and Complete:

- All calipers, components and castings are 100% NEW
- Includes all hardware to install the caliper

Zinc Chromate Plating

- Resists rust and corrosion
- Provides visual confirmation of improved quality

Dorman Engineered:

- Engineered to Dorman Quality Standards
- Improvements made to OE Failure-Prone Applications

NO CORES!



**Dorman 100% NEW
Brake Calipers are now**



Dorman 100% NEW Brake Calipers have moved from the OE Solutions catalog and will

now be included in the new



brake catalog coming soon.

Activant Path

N/A

Activant Code

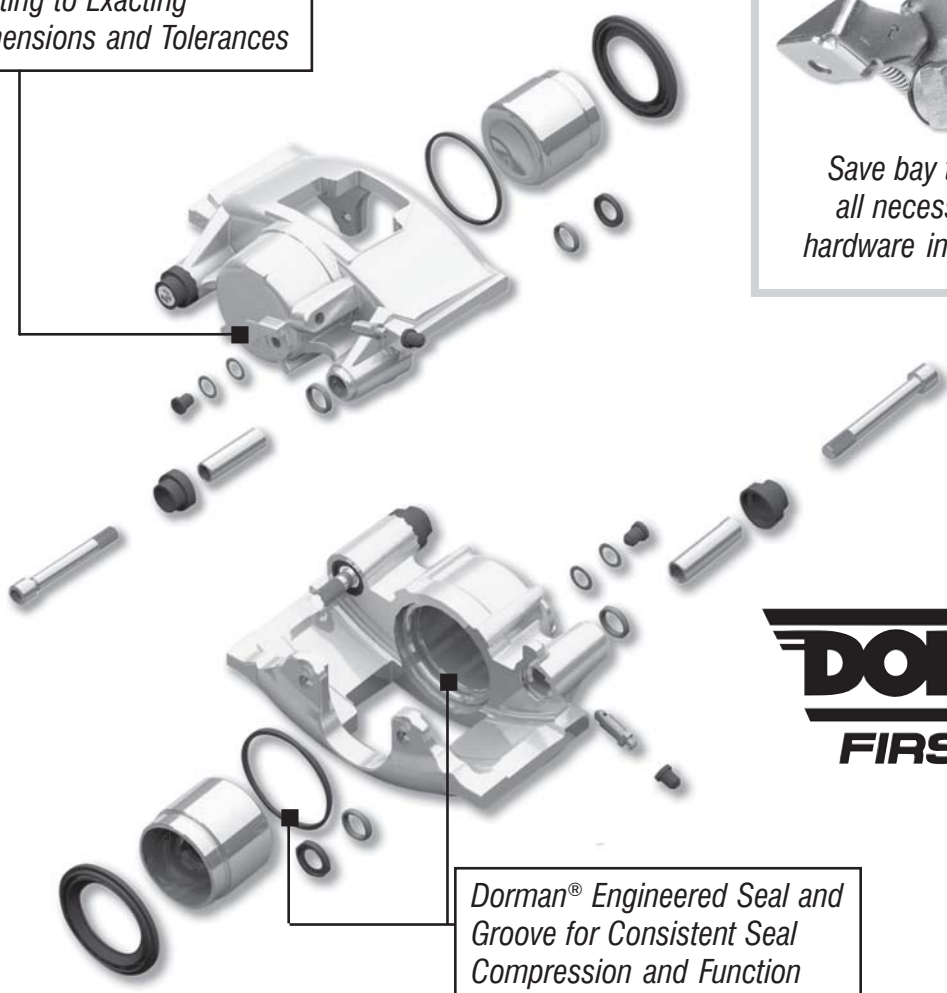
DML

100% NEW BRAKE CALIPERS



Brake Caliper Assemblies

Dorman® Engineered Casting to Exacting Dimensions and Tolerances



Save bay time, all necessary hardware included



Dorman® Engineered Seal and Groove for Consistent Seal Compression and Function

- OE and Remanufactured GM “W-Body” Calipers Use Steel Guide Sleeves, Which Cause Corrosion and Seizing
- Dorman® Units Prevent Corrosion and Seizing by Utilizing an Anodized Aluminum Guide Sleeve
- All Dorman® Calipers are Fully Assembled and Friction Ready
- Zinc Chromate Plating Extends Part Life and Reduces Corrosion

Application-specific instruction sheets included

